



DK50

- EN User manual
- DE Benutzerhandbuch
- RU Руководство пользователя
- SK Návod na použitie

COMPRESSOR
KOMPRESSOR
КОМПРЕССОР
KOMPRESOR

DK50



EKOM spol. s r. o.
Priemyselná 5031/18
SK-921 01 Piešťany
Slovak Republic
tel.: +421 33 7967255
fax: +421 33 7967223





www.ekom.sk
email: ekom@ekom.sk

DATE OF LAST REVISION
DATUM DER LETZTEN ÜBERARBEITUNG
ДАТА ПОСЛЕДНЕЙ РЕДАКЦИИ
DÁTUM POSLEDNEJ REVÍZIE

01/2022



NP-DK50 simple s DE-6_01-
2022
112000198-000

	CONTENTS	<u>5</u>
	INHALT.....	<u>30</u>
	ОГЛАВЛЕНИЕ	<u>55</u>
	OBSAH.....	<u>80</u>

CONTENTS

IMPORTANT INFORMATION	6
1. CONFORMITY WITH THE REQUIREMENTS OF EUROPEAN UNION DIRECTIVES	6
2. INTENDED USE	6
3. CONTRAINDICATIONS AND SIDE-EFFECTS	6
4. WARNINGS AND SYMBOLS	6
5. WARNINGS	7
6. STORAGE AND TRANSPORT	9
7. TECHNICAL DATA	10
8. PRODUCT DESCRIPTION	14
9. FUNCTION	14
10. PNEUMATIC DIAGRAM	16
INSTALLATION	17
11. CONDITIONS FOR USE	17
12. PLACEMENT OF THE COMPRESSOR	18
13. PNEUMATIC CONNECTIONS	20
14. ELECTRICAL CONNECTION	20
15. CONNECTION DIAGRAM	21
OPERATION	22
16. COMMISSIONING	22
17. SWITCHING THE COMPRESSOR ON	23
MAINTENANCE	23
18. DEVICE MAINTENANCE	23
TROUBLESHOOTING	28
19. REPAIR SERVICE	29
20. STORAGE	29
21. DISPOSING OF THE DEVICE	29
ANNEX	103
22. INSTALLATION RECORD	103

IMPORTANT INFORMATION

1. CONFORMITY WITH THE REQUIREMENTS OF EUROPEAN UNION DIRECTIVES

This product conforms to the requirements of the Regulation (EU) on medical devices (MDR 2017/745) and is safe for the intended use if all safety instructions are followed.

2. INTENDED USE

The compressor is used as a source of clean, oil-free compressed air to power active medical devices where the parameters and properties of the compressed air are suitable for the specific application.



Compressed air supplied by the compressor is unsuitable for use with artificial lung ventilation devices without further filtration.

Any other use of the product beyond its intended use is considered an incorrect use. The manufacturer is not liable for any damages or injuries resulting from the incorrect use.

3. CONTRAINDICATIONS AND SIDE-EFFECTS

There are no contraindications or side-effects known.

4. WARNINGS AND SYMBOLS

The following symbols are used in the user manual, device and its packaging to denote important details and information:



General warnings



Warning



Danger, electric shock hazard



Read the operating instructions



Refer to instruction manual



CE-marking



Medical device





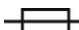








Serial number



Compressor is controlled automatically and may start without warning



Caution! Hot surface

	Ground connection
	Terminal for ground connection
	Fuse
	Condensate drain
	Handling mark on package – FRAGILE
	Handling mark on package – THIS SIDE UP
	Handling mark on package – KEEP DRY
	Handling mark on package – TEMPERATURE LIMITATIONS
	Handling mark on package – LIMITED STACKING
	Mark on package – RECYCLABLE MATERIAL
	Manufacturer

5. WARNINGS

The product is designed and manufactured to be safe for the user and the surrounding environment when used in the defined manner. Keep the following warnings in mind.

5.1. General warnings

READ THE USER MANUAL CAREFULLY BEFORE USING THE DEVICE AND KEEP IT FOR FUTURE USE!

- The user manual supports the correct installation, operation and maintenance of the product. Careful review of this manual will provide the information necessary for the correct operation of the product for its intended use.
- Original packaging should be retained for the return of the device. Only the original packaging ensures protection of the device during transport. If it is necessary to return the product during the warranty period, the manufacturer is not liable for damages caused by improper packaging.
- This warranty does not cover damages originating from the use of accessories other than those specified or recommended by the manufacturer.
- The manufacturer only guarantees the safety, reliability and function of the device if:
 - installation, new settings, changes, expansion, and repairs are performed by the manufacturer or an organisation authorised by the manufacturer.
 - the product is used pursuant to the user manual.

- The user manual corresponds to the configuration of the product and its compliance with the applicable safety and technical standards at the time of printing. The manufacturer reserves all rights for the protection of its configuration, methods and names.
- This user manual is the original instructions. Translation is performed in accordance with the best available knowledge.

5.2. General safety warnings

The manufacturer designed and manufactured the product to minimise all risks when used correctly for the intended use. The manufacturer considers it its obligation to lay down the following general safety precautions.

- Use and operation of the product must comply with all laws and local regulations valid in the place of use. The operator and user are responsible for following all the appropriate regulations in the interests of performing work safely.
- Only the use of original parts guarantees the safety of operating personnel and the flawless operation of the product itself. Only the accessories and parts mentioned in the technical documentation or expressly approved by the manufacturer should be used.
- The operator must ensure that the device is functioning correctly and safely before every use.
- The user must be familiar with the operation of the device.
- Do not use the product in environments with a risk of explosion.
- The user must inform the supplier immediately if any problem directly related to the operation of the device occurs.
- Any serious incident that has occurred in relation to the device should be reported to the manufacturer and the competent authority of the Member State in which the user and / or patient is established.

5.3. Safety warnings on protection from electric current

- The device must only be connected to a properly installed, earthed socket.
- Before the product is plugged in, ensure that the mains voltage and frequency stated on the product are in compliance with the values of the mains.
- Prior to putting the device into operation check for any damage to the connected pneumatic lines and electrical wiring. Replace damaged pneumatic lines and electrical wirings immediately.
- Immediately disconnect the product from the mains (remove power cord from the socket) in hazardous situations or in the case of a technical malfunction.
- During all repairs and maintenance, ensure that:
 - the mains plug is removed from the power socket
 - pressure is vented from the air tank and pipes
- The product shall only be installed by a qualified technician.

6. STORAGE AND TRANSPORT

The compressor is shipped from the factory in a transport packaging. This protects the device from damage during transport.



The original compressor packaging must be used for transport whenever possible. Transport the compressor in an upright position, always secured with transport fixation.



Protect the compressor from moisture, dirt and extreme temperatures during transport and storage. Store the compressor in its original packaging in a warm, dry, and dust-free area. Do not store near any chemical substances.



Keep the packaging material, if possible. If not, please dispose of the packaging material in an environmentally-friendly way. Packaging cardboard can be recycled with old paper.



The compressor may only be transported when all air pressure has been vented. Before moving or transporting the compressor, release all air pressure from the tank and hoses and drain condensate from the air tank.



Storing or shipping the equipment in any conditions other than those specified below is prohibited.

Ambient conditions for storage and transport

Products may only be stored and transported in vehicles that are free of any traces of volatile chemicals under the following conditions:

Temperature: -25°C to $+55^{\circ}\text{C}$, 24 h at up to $+70^{\circ}\text{C}$

Relative humidity: 10% to 90% (non-condensing)

7. TECHNICAL DATA

Compressors are designed for dry and ventilated indoor environments with the following conditions:

Temperature : +5°C to +40°C,
 Max. relative humidity.: 70%,
 Max. absolute humidity. 15 g/m³

TYPE	DK50
MODEL	standard
Output flow	50 L.min ⁻¹ (1.8 Cft. min ⁻¹)
Rated voltage / Frequency / Rated current V/Hz/A	230/50 / 2.8
Air filtration μm	-
Outlet connection	hose coupling ø6
Sound level dB(A)	≤ 53
Mode of operation	Continuous - S1
Separation of condensed water	Manual
Air tank capacity	4,7 L (1gall UK)
Pressure range	4,5 bar (65 psig) – 6 bar (87 psig)
Operating pressure of safety valve	7 bar (101.5 psig)
Adjustment of output air pressure	-
Dimensions of compressor w x d x h	440 x 360 x 430 mm (17 x 14 x 17 in)
Dimensions of compressor with weels š x h x v	480 x 390 x 505 mm (19 x 15.5 x 19.5 in)
Net weight	30 kg (66 lbs)
Net weight of compressor with weels	31 kg (68.5 lbs)
Implementation according to EN 60601-1, EN 12021	class I.

7.1. Free air delivery (FAD) correction due to elevation

FAD correction table

Elevation [mamsl]	0 - 1500	1501 - 2500	2501 - 3500	3501 - 4500
FAD [l/min]	FAD x 1	FAD x 0.8	FAD x 0.71	FAD x 0.60

FAD („Free Air Delivery“) output related to conditions:

Elevation: 0 MASL

Temperature : 20°C

Atmospheric pressure : 101325 Pa

Relative humidity : 0%

7.2. Electromagnetic compatibility declaration

Medical equipment needs special precautions regarding electromagnetic compatibility (EMC) and needs to be installed and put into service according to the EMC information provided below.

Guidance and manufacturer's declaration - electromagnetic emissions		
Pursuant to IEC 60601-1-2:2014 - Medical electrical equipment - Part 1-2: General requirements for basic safety and essential performance - Collateral Standard: Electromagnetic disturbances		
The equipment is intended for use in the electromagnetic environment specified below. The customer or the user of the equipment should assure that it is used in such an environment.		
Emissions test	Compliance	Electromagnetic environment - guidance
RF emissions CISPR 11	Group 1	The equipment uses RF energy only for its internal functions. Therefore, the RF emissions are very low and are not likely to cause any interference in nearby electronic equipment.
RF emissions CISPR 11	Class B	The equipment is suitable for use in all establishments, including domestic establishments and those directly connected to the public low voltage power supply network that supplies buildings used for domestic purposes.
Harmonic emissions IEC 61000-3-2	Class A	
Voltage fluctuations/ flicker emissions IEC 61000-3-3	The equipment is not likely to cause any flicker, as the current flow is approx. constant after the start up.	


Guidance and manufacturer's declaration - electromagnetic immunity

Pursuant to IEC 60601-1-2:2014 - Medical electrical equipment - Part 1-2: General requirements for basic safety and essential performance - Collateral Standard: Electromagnetic disturbances

The equipment is intended for use in the electromagnetic environment specified below. The customer or the user of the equipment should assure that it is used in such an environment.

Immunity test	IEC 60601-1-2 test level	Compliance level	Electromagnetic environment - guidance
Electrostatic discharge (ESD) IEC 61000-4-2	±8 kV contact ±15 kV air	±8 kV contact ±15 kV air	Floors should be wood, concrete or ceramic tile. If floors are covered with synthetic material, the relative humidity should be at least 30%.
Electrical fast transient/burst IEC 61000-4-4	±2 kV for power supply lines ±1 kV for input/output lines	±2 kV 100 kHz repetition frequency Applied to mains connection	Mains power quality should be that of a typical commercial or hospital environment.
Surge IEC 61000-4-5	±1 kV differential mode ±2 kV common mode	±1 kV L-N ±2 kV L-PE; N-PE Applied to mains connection	Mains power quality should be that of a typical commercial or hospital environment.
Voltage dips, short interruption, and voltage variations on power supply input lines IEC 60601-4-11	$U_T=0\%$, 0,5 cycle (at 0, 45, 90, 135, 180, 225, 270 and 315°) $U_T=0\%$, 1 cycle $U_T=70\%$ 25/30 cycles (at 0°) $U_T=0\%$, 250/300 cycles	$U_T>95\%$, 0,5 cycle (at 0, 45, 90, 135, 180, 225, 270 and 315°) $U_T>95\%$, 1 cycle $U_T=70\%$ (30% dipp U_T), 25(50Hz)/30(60Hz) cycles (at 0°) $U_T>95\%$, 250(50Hz)/300(60Hz) cycle	Mains power quality should be that of a typical commercial or hospital environment. The device stops and restarts automatically at each dip. In this case does not occur unacceptable pressure drop.
Power frequency (50/60 Hz) IEC 61000-4-8	N/A	N/A	The equipment does not contain magnetically sensitive components or circuits.

NOTE: U_T is the A.C. mains voltage prior to application of the test level.

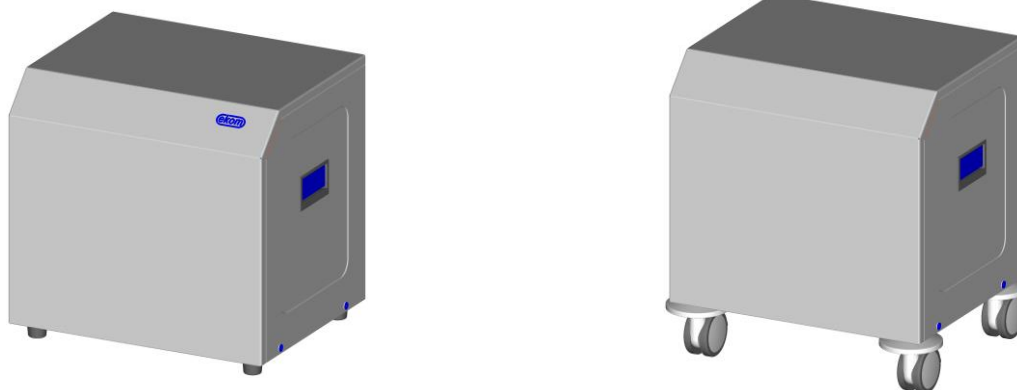
Guidance and manufacturer's declaration - electromagnetic immunity			
Pursuant to IEC 60601-1-2:2014 - Medical electrical equipment - Part 1-2: General requirements for basic safety and essential performance - Collateral Standard: Electromagnetic disturbances			
The equipment is intended for use in the electromagnetic environment specified below. The customer or the user of the equipment should assure that it is used in such an environment.			
Immunity test	IEC 60601-1-2 test level	Compliance level	Electromagnetic environment - guidance
Conducted RF IEC 61000-4-6	3 Vrms 150 kHz to 80MHz	3 Vrms	Portable and mobile RF communications equipment should be used no closer to any part of the equipment, including cables, than the recommended separation distance calculated from the equation applicable to the frequency of the transmitter. Recommended separation distance $d=1,2\sqrt{P}$ $d=1,2\sqrt{P}$, 80 MHz to 800 MHz $d=2,3\sqrt{P}$, 800 MHz to 2,7 GHz
Radiated RF IEC 61000-4-3	3 V/m 80 MHz to 2,7 GHz	3 V/m	where P is the maximum output power rating of the transmitter in watts (W) according to the transmitter manufacturer and d is the recommended separation distance in metres (m).
Proximity fields from RF wireless communications equipment IEC 61000-4-3	9 to 28 V/m 15 specific frequencies (380 to 5800 MHz)	9 to 28 V/m 15 specific frequencies (380 to 5800 MHz)	Field strengths from fixed RF transmitters, as determined by an electromagnetic site survey ^a , should be less than the compliance level in each frequency range ^b . Interference may occur in the vicinity of equipment marked with the following symbol: 
NOTE 1 At 80 MHz and 800 MHz, the higher frequency range applies.			
NOTE 2 These guidelines may not apply in all situations. Electromagnetic propagation is affected by absorption and reflection from structures, objects and people.			
^a Field strengths from fixed transmitters, such as base stations for radio (cellular/cordless) telephones and land mobile radios, amateur radio, AM and FM radio broadcast and TV broadcast cannot be predicted theoretically with accuracy. To assess the electromagnetic environment due to fixed RF transmitters, an electromagnetic site survey should be considered. If the measured field strength in the location in which the equipment is used exceeds the applicable RF compliance level above, the equipment should be observed to verify normal operation. If abnormal performance is observed, additional measures may be necessary, such as re-orienting or relocating the equipment.			
^b Over the frequency range 150 kHz to 80 kHz, field strengths should be less than 3 V/m.			

8. PRODUCT DESCRIPTION

8.1. Variants

Compressor models are designed in the following variants:

Dental compressor DK50 oil-free compressor embedded on a base covered with a compact housing with an efficient noise suppression.



Upon customer request the compressor is provided with rubber feet or casters (2 with brakes (22) in front and 2 without brakes (23) in the back).



Without additional filtration equipment, the compressed air from a compressor is not suitable for the operation of breathing devices or similar equipment.



The compressor is not equipped with an emergency power supply.

9. FUNCTION

(Fig.1)

The compressor (1) draws in air through a filter and compresses it through a check valve (3) into an air tank (2). The connected apparatus draws the compressed air from the air tank until the pressure drops to a default preset level on the air-pressure switch (4) switching the compressor on. The compressor again compresses air into the nozzle until the maximum pressure is reached and the compressor switches off. Safety valve (5) prevents the pressure in air chamber from rising above the maximal allowed value. The drain valve (8) releases the condensate from the air nozzle.

The soundproof box is compact yet allows sufficient exchange of cooling air. Fan (6) provides for the compressor cooling. After a prolonged operation of a compressor, temperature in the casing can rise above 40°C, at that time the ventilator shall be in operation also after the compressor is switched off after the space within the casing is cooled down under ca 32°C. Fastener (14) ensures the power cord and its possible release from the connector (10).



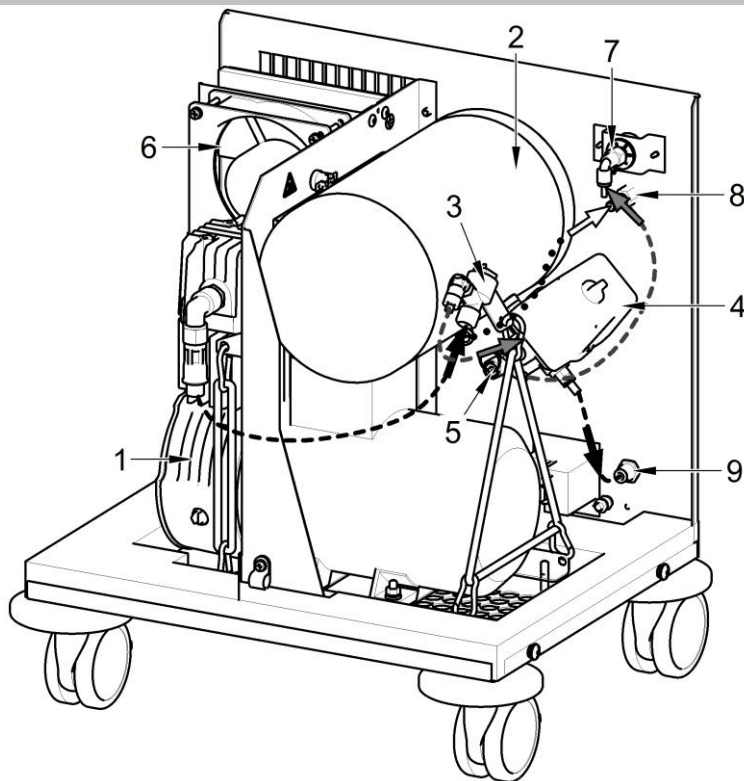
Make sure that nothing impedes the free flow of air under and around the compressor. Never cover the hot air outlet on the top back side of the cabinet.



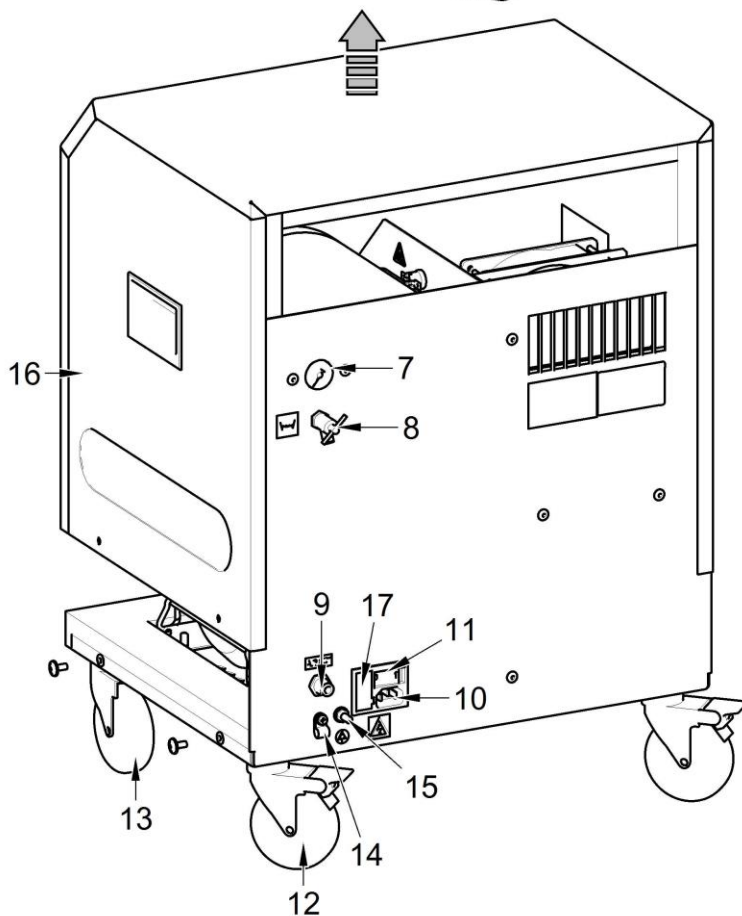
If placing the compressor on a soft floor such as carpet, create space for ventilation between the base and floor or the cabinet and floor, e.g. underpin the footings with hard pads .

Fig. 1: Compressor

Description for Figures::

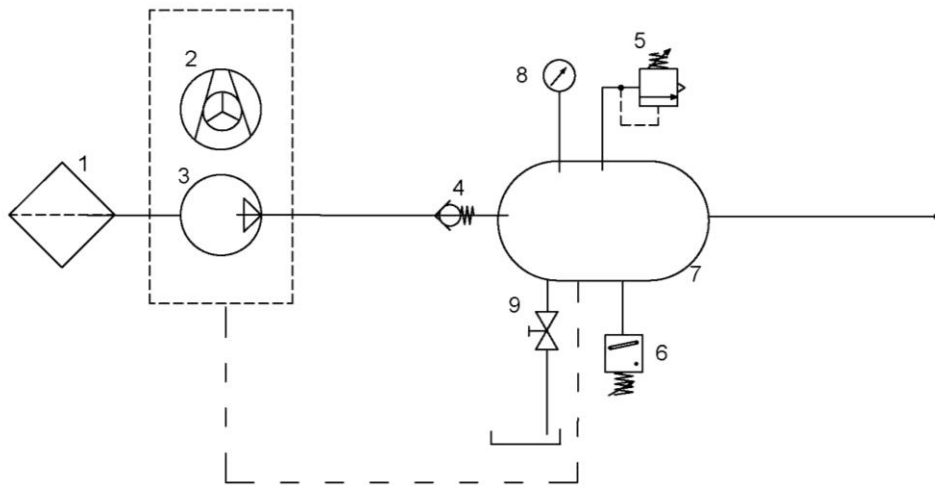


- 1 Compressor motor
- 2 Air tank
- 3 Check valve
- 4 Pressure switch
- 5 Safety valve
- 6 Fan
- 7 Manometer
- 8 Drain valve
- 9 Pressurized air output
- 10 Connector
- 11 Switch
- 12 Caster
- 13 Baraked caster
- 14 Fastener of power cord
- 15 Equipotential (ground) pin
- 16 Compressor cover
- 17 Fuse housing with fuses



10. PNEUMATIC DIAGRAM

DK50



Legend for compressed air diagram

- 1 Inlet filter
- 2 Compressor fan
- 3 Compressor
- 4 Check valve
- 5 Safety valve
- 6 Pressure switch
- 7 Air tank
- 8 Air tank pressure gauge
- 9 Drain valve

INSTALLATION

11. CONDITIONS FOR USE

- Compressors may only be installed and operating in dry, well-ventilated and clean environments with environmental parameters that meet the requirements specified in Chapter 7, Technical data. The compressor must be installed so that it is accessible at all times for operating and maintenance. Please ensure that the label on the device is readily accessible.
- The compressor must stand on a flat, sufficiently stable base (be aware of the weight of the compressor, see Chapter 7, Technical data).
- Compressors may not be operated outdoors or in otherwise wet or damp environments. Do not use the compressor in the presence of explosive gases, dust or flammable liquids.
- Before connecting the compressor to medical equipment, the supplier must confirm that it meets all requirements for its use. Refer to the technical data of the product for this purpose. When a unit is to be built-in, classification and evaluation of compatibility must be done by the manufacturer or supplier of the product to be used.
- Any other use or use outside this framework is not considered as intended use. The manufacturer is not responsible for any damages arising from such use. The operator/user assumes all risks.



Only a qualified professional may install the compressor and place it into operation for the first time. This professional is obliged to train operating staff as to the use and maintenance of the device. Installation and training of all operators shall be confirmed by the installer's signature on the certificate of installation.



Prior to installation, ensure that the compressor is free of all transport packaging and stabilizers to avoid any risk of damage to the product.



Parts of the air pump may be hot and reach hazardous temperatures during compressor operation and may pose a contact risk for operators or materials. Burn or fire hazard! Caution! Hot surface!



Electric cord for connection to electric mains and air hoses may not be broken. The power cord may not be exposed to pulling, pressure and excessive heat



You may notice a "new product" odour when you first place the product into service (for a short period of time). This odour is temporary and does not impede the normal use of the product. Ensure the space is properly ventilated after installation.

Ambient operating conditions

<i>Temperature:</i>	+5°C to +40°C,
<i>Max. relative humidity:</i>	70%,
<i>Max. absolute humidity:</i>	15 g/m ³ .

12. PLACEMENT OF THE COMPRESSOR



The device shall only be installed by a qualified professional.



Keep the fixation screws for possible later transport of the compressor.

- Unwrap the compressor from the packaging.

12.1. Removal of transpor stabilizers

Unscrew four screws M6 from the bottom part of the device marked with red warning washer.

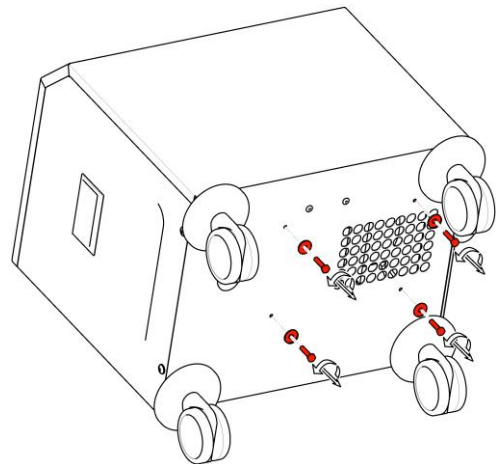


Fig. 2

Securing the casters

A compressor equipped with casters must first be secured to prevent it from moving before starting the compressor.

Lock the casters!

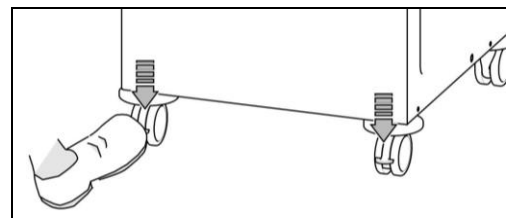


Fig. 3

Installing feet

Compressor models equipped with feet must have the feet installed following the provided illustration.

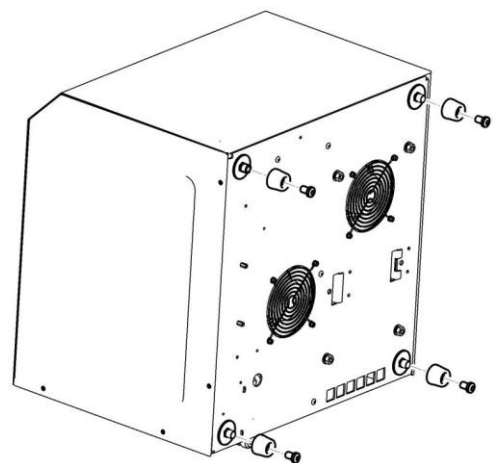
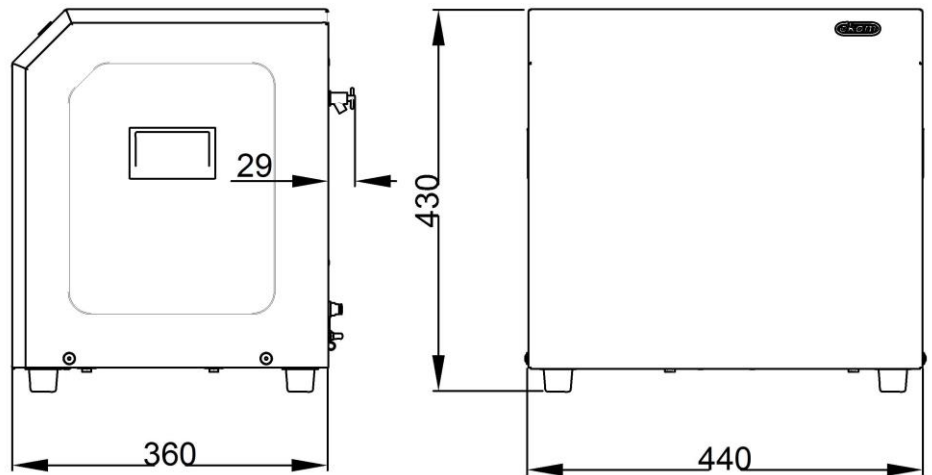


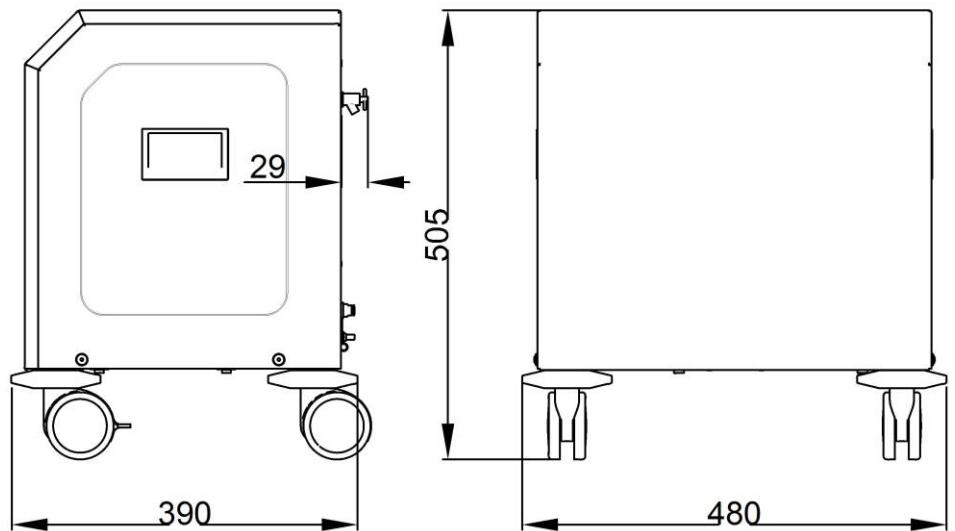
Fig. 4

12.2. Installation schematic

Compressor with feet



Compressor with casters



13. PNEUMATIC CONNECTIONS

13.1. Connecting to the compressed air outlet

Dental compressor with a compressed air outlet, OUT (9), located in the front of the box.

Connect pressure hose for connection to the relevant dental device to coupling (9) – pressurized air output.

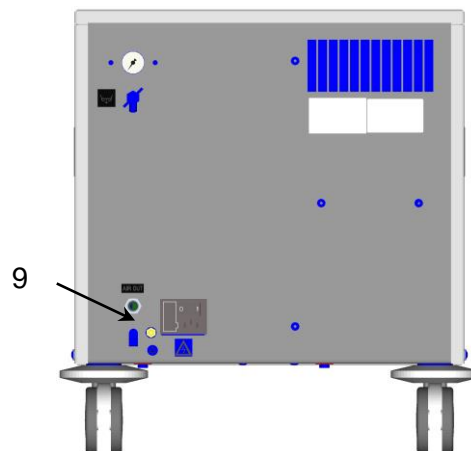


Fig.5

14. ELECTRICAL CONNECTION



**Plug the electrical cord into the mains.
The device is equipped with a grounded plug.
Make sure this connection complies with local electrical codes.
The mains voltage and frequency must comply with the data stated on the device label.**

(Fig.1)

- Keep the socket easily accessible to ensure that in an emergency the appliance can be safely disconnected from the mains.
- Connection to the power distribution box shall be protected with a locking element.
- Connection of the ground connection (15) to other appliances must adhere to local electrical regulations.
- Fasten down the electrical cord through the holder (14).
- The device is protected by fuses located in the fuse housing (17) beneath the cover of the main switch.



Ensure the electrical cable does not touch hot compressor components. Risk of electric shock!



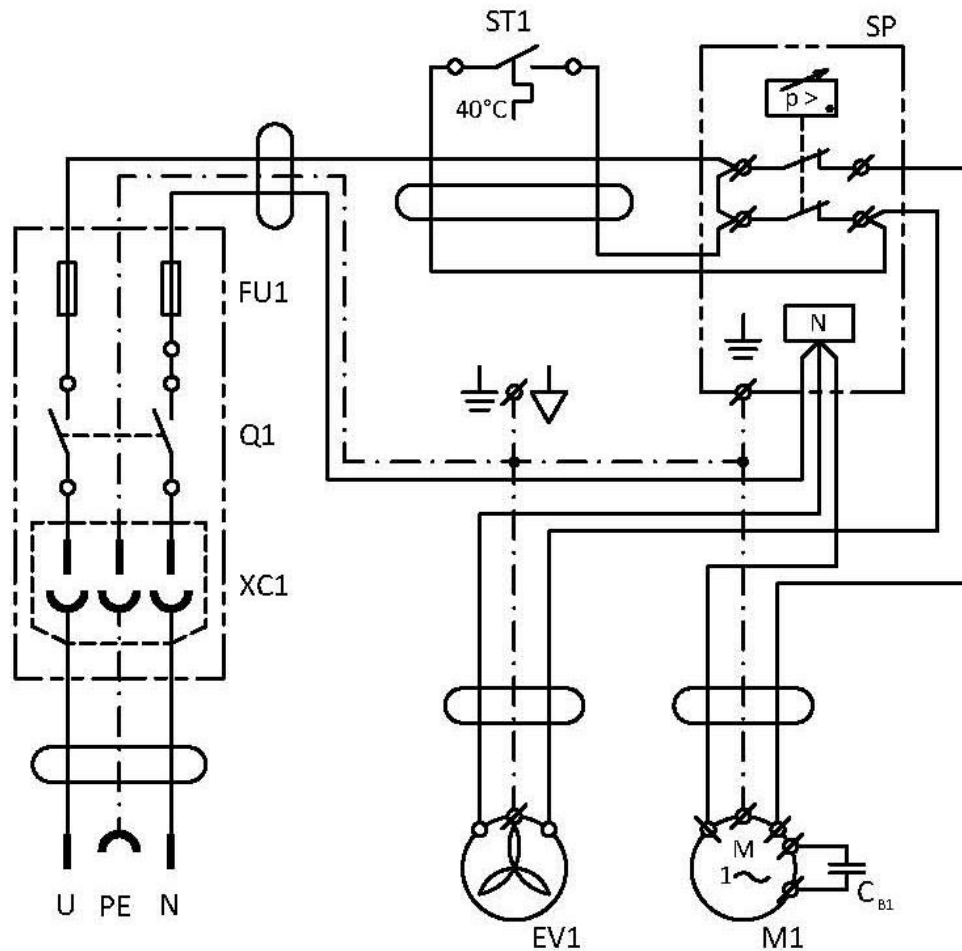
**Electrical cord may not contact the hot parts of a compressor. Insulation could be damaged!
If any electrical cord or air hose is damaged it must be replaced immediately.**

15. CONNECTION DIAGRAM

DK50

1/N/PE 230 V, 50 Hz

ELECTRIC OBJECT OF 1st. CAT



Legend for electrical diagram

M1	Motor of compressor
E1	Fan of compressor
ST 1	Thermo switch
CB1	Capacitor
SP	Pressure switch
FU	Fuses
Q1	Main switch
XC1	Connector

OPERATION



The equipment may only be operated by the trained staff!



Pri In case of emergency, disconnect the compressor from the mains (pull out the mains plug).



The compressor has hot surfaces.
Burns or fire may result if contact is made.



During prolonged operation of the compressor, the temperature in the box may increase to over 40°C. At this point the cooling fan automatically switches on. After cooling the space to under 32°C, the ventilator switches off.



Automatic start: when pressure in the pressure tank decreases below the switch-on pressure, the compressor automatically switches on. The compressor automatically switches off when pressure in the air tank reaches the switch-off pressure.



The working pressure settings for the pressure switch set by the manufacturer cannot be changed. Compressor operation at a working pressure below the switch-on pressure indicates high air consumption (see the chapter Malfunctions).

16. COMMISSIONING

(Fig.1)

- Make sure that all stabilizers used during transport were removed.
- Check that all pressurized air line connections are secure.
- Connect to the mains.
- Switch on the switch (11) at the back part of the box to the position "I" .

Compressor – after the first switching of the mains switch of the compressor on, air chamber shall pressurize air chamber to switching-off pressure and pressure switch shall be automatically switched off by the compressor. In the next period, the compressor shall work already in automatic mode, the compressor is switched on and off by pressure switch according to the consumption of compressed air.



The compressor is not equipped with a backup power supply.

17. SWITCHING THE COMPRESSOR ON

Switch on the switch (1) at the back part of the box to the position "I", the compressor sends pressurized air to the air tank. After reaching the cutoff pressure the compressor turns off automatically and the cycle is repeated. As the compressed air is used, the pressure in the air nozzle drops to a preset level, the compressor switches on and the air nozzle fills with compressed air. Check the value of switching-on and switching-off pressure on pressure gauge. The values may be within a tolerance of $\pm 10\%$. Air pressure in air chamber may not exceed the allowable operating pressure, which is prevented by safety valve.

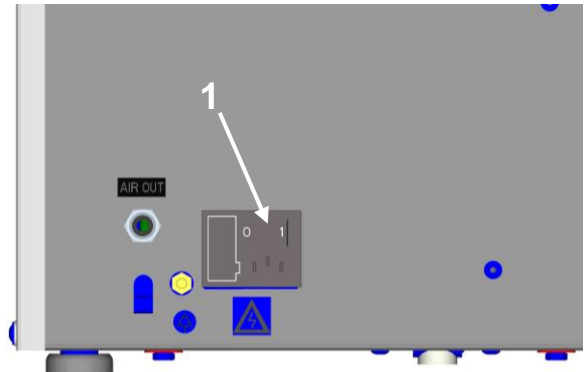


Fig.6



Adjustments to the pressure range on the compressor's pressure switch are prohibited. The pressure switch was set up by the manufacturer and only a qualified technician trained by the manufacturer may make any changes to its settings.

MAINTENANCE

18. DEVICE MAINTENANCE

Warning!

The operator shall ensure completion of repeated testing of the device at least once every 24 months (EN 62353) or at intervals defined by applicable national legal regulations. A record of these test results shall be completed (e.g. per EN 62353, Annex G) together with the measurement methods.



Before starting compressor maintenance work, it is necessary to check if the compressor can be disconnected from the device to ensure that the person using the device is not at risk of health damage and there is no risk of any other material damages!



Air pump components (head, cylinder, pressure hose, etc.) are very hot during and shortly after compressor operation – do not touch these components!



Repair works beyond normal maintenance can be performed only by qualified personnel or the manufacturer's customer service. Use only spareparts and accessories approved by the manufacturer.



PROTECT EYESIGHT, WEAR GOGGLES, WHEN VENTING COMPRESSED AIR FROM THE COMPRESSED AIR CIRCUIT (AIR TANK).

The work below may only be performed by trained personnel as follows:



BEFORE STARTING ANY MAINTENANCE WORK, FIRST DISCONNECT THE COMPRESSOR FROM THE MAINS (PULL OUT THE MAINS PLUG) AND VENT THE COMPRESSED AIR FROM THE AIR TANK.



Allow the equipment to cool down before maintenance, service or connecting/disconnecting the compressed air supply!

18.1. Maintenance intervals

Time interval	once a day	once a week	once a year	once every 2 years	once every 4 years	once every 6000 h	once every 8000 h	Chapter	Set of spare parts	Performed by
Drain the condensate from the air tank - At high RH	X							18.2		user
Drain the condensate from the air tank - At normal RH		X						18.2		user
Safety valve check			X					18.3		qualified professional
Inspect the device				X				18.4		qualified professional
Replacement of filters of air pump) ^a					X		X	18.5	025000012-000 025000005-000	qualified professional
Conduct a "repeated test" per EN 62353				X				18.	-	qualified professional

^{a)} data is presented in hours; if not possible, then the data is considered in years

TO ENSURE THAT THE COMPRESSOR WORKS CORRECTLY, PERFORM THE FOLLOWING MAINTENANCE TASKS AT REGULAR INTERVALS:

Cover removal:

- Unscrew the 4 screws from the front cover
- Disconnect the grounding wire
- Remove the front cover
- Reassemble using the opposite order

18.2. Condensation drain valve



Carefully and slowly open the drain valve. Quickly opening the drain valve is accompanied by a loud sound and uncontrollable stream of accumulated condensate.

(Fig.1)

From air tank

During regular use, release condensation from the pressure tank. Switch off the compressor at the mains. Reduce air pressure in the appliance to max. 1 bar by releasing air via a connected device. Place the vessel under release valve and open the drain valve (8). Wait until condensation is fully drained from the pressure tank. Close drain valve (8).



Monitor the level in the vessel using the 1 l or 2 l markings (depending on the volume of the vessel), and empty at least once a day. The vessel may overflow if the condensate is not drained out of the vessel at the defined interval.



Risk of slipping on a wet floor in case of the collecting bottle overflow.

18.3. Safety valve check

When the compressor is operated for the first time, make sure that the safety valve is working properly. Let the safety valve blow out for only a few seconds.



Obr.7



Never use the safety valve to vent air pressure in the air tank. It could damage the safety valve. The valve is set to the maximum permitted pressure by the manufacturer. Adjustments are not permitted!



WARNING! COMPRESSED AIR IS DANGEROUS BECAUSE OF THE RISK OF DAMAGE TO THE EYES! RISK OF DAMAGE TO THE EYES.

18.4. Inspect the device

Test for leakage:

- Consumption of compressed air is stopped.
- Pressurize the air tank by releasing some air via a connected device.
- With the compressor off, wait at least 10 minutes before checking the pressure level.
- If the pressure has dropped, use soapy water to find the leaky joint. Start with the joints outside the case, then test the ones inside the case after removing the covers.
- Tighten or re-seal joints as necessary.

Inspect the appliance:

- Check the status of compressor aggregate – uniformity of operation, noise level, check the performance of the compressor - measure time of pressurizing of air chamber from 0 to 6bar (35 sec).
- Check the condition of the hangers above the pump.
- Checking the fan functioning.
- Examine the pump for:
 - impurities in the crankcase, free movement of the crank shaft, if necessary, replace any faulty parts

18.5. Replacement of filters of air pump



Caution – hot surface! About disassembly the internal back cover can be hot the internal surface.

- Disassembly the internal cover. These filter inserts are in the top cover of crank case.
- Using screwdriver, remove the flexible guard.
- Remove the used and contaminated filters (A), (B).
- Insert a new set of input filter (B).
- Place prefilter (A) into the flexible guard (by plain side into the crank case) and then to the opening.



Fig.8

18.6. Cleaning and disinfection of the exterior surfaces of the product

Use neutral agents for cleaning and disinfection of the external surfaces of the product.



The use of aggressive cleaning agents and disinfectants comprising alcohol and chlorides may lead to the damage of the surface and the discoloration of the product.

18.7. Stabilizing the compressor before shipping

Before shipping, the compressor must be stabilized to prevent movement. Prior to fixing it is necessary to disassemble housing using 4x screw M5 at side walls of the product. The air pump must be fixed to the base using four original screws M6 (see picture) and plastic cover assembled.

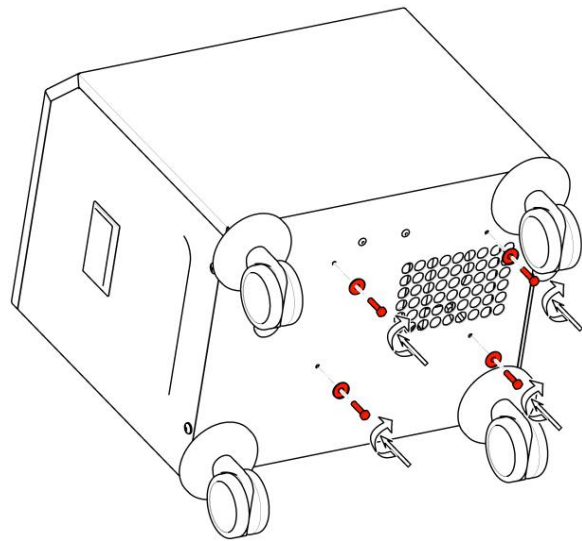


Fig.9

TROUBLESHOOTING



Before proceeding, depressurize the air tank to zero and disconnect the device from the mains.

Troubleshooting can be performed only by qualified personnel.

FAILURE	POSSIBLE CAUSE	REMEDY
Compressor does not start	No voltage in pressure switch Disconnected winding of motor, damaged thermal protection Faulty capacitor Seizure of piston or another rotary part Pressure switch is not switching on, switch switched to "0" position	Check voltage in socket Check fuse – replace faulty one Loosen terminal – tighten it Check power cord – replace faulty one Replace motor or re-wind it Replace capacitor Replace damaged parts Check the function of pressure switch
Compressor often switches on	Air leak in pneumatic distribution system Leaking non-return valve Greater volume of condensed liquid in pressure vessel	Check pneumatic distribution system – seal loose joint Clean valve, replace seals, replace valve Drain condensed liquid
Prolonged running of compressor	Air leak in pneumatic distribution system Worn piston ring Contaminated filter Defective solenoid valve	Check pneumatic distribution system – seal loose joint Replace worn piston ring Replace contaminated filter with the new one Repair or change the valve
Compressor is noisy (knocking, metal noises)	Damaged bearing of piston, piston rod, motor bearing Loose or cracked spring	Replace damaged bearing Replace damaged spring

19. REPAIR SERVICE

Guaranteed and post-guarantee repairs must be done by the manufacturer, its authorized representative, or service personnel approved by the supplier.

The manufacturer reserves the right to make changes to the device without notice. Any changes made will not affect the functional properties of the device.

20. STORAGE

If the compressor will not be used for a prolonged time period, drain any condensate from the air tank. Then turn on the compressor for 10 minutes, keeping the drain valve open (8) (Fig.1). Switch off the compressor by switch (Fig.4), close the drain valve and disconnect the appliance from the mains.

21. DISPOSING OF THE DEVICE

- Disconnect the device from the mains.
- Release air pressure in the pressure tank by opening the drain valve (7) (Fig.1, Fig.2).
- Dispose of the device following all applicable environmental regulations.
- Entrust a specialised company to sort and dispose of waste.
- Worn out components have no negative environmental impact

INHALT

WICHTIGE INFORMATIONEN	31
1. ÜBEREINSTIMMUNG MIT DEN ANFORDERUNGEN DER EU-RICHTLINIEN	31
2. BESTIMMUNGSGEMÄÙE VERWENDUNG	31
3. GEGENANZEIGEN UND NEBENWIRKUNGEN	31
4. WARNHINWEISE UND SYMBOLE	31
5. WARNHINWEISE	32
6. LAGER UND TRANSPORTBEDINGUNGEN	34
7. TECHNISCHE DATEN	35
8. PRODUKTBESCHREIBUNG	39
9. FUNKTIONSBESCHREIBUNG	39
10. DRUCKLUFTPLAN	41
INSTALLATION	42
11. EINSATZBEDINGUNGEN	42
12. AUFSTELLUNG DES KOMPRESSORS	43
13. PNEUMATISCHE ANSCHLÜÙE	45
14. ELEKTRISCHE ANSCHLÜÙE	45
15. ANSCHLUSSDIAGRAMM	46
BEDIENUNG	47
16. ERSTE INBETRIEBNAHME	47
17. EINSCHALTEN DES KOMPRESSORS	48
WARTUNG	48
18. WARTUNG DES GERÄTS	48
FEHLERSUCHE UND FEHLERBEHEBUNG	52
19. INFORMATIONEN ZU REPARATURBETRIEBEN	53
20. LAGERUNG	53
21. ENTSORGUNG DES GERÄTES	53
ANHANG	103
22. INSTALLATIONSprotokoll	104

WICHTIGE INFORMATIONEN

1. ÜBEREINSTIMMUNG MIT DEN ANFORDERUNGEN DER EU-RICHTLINIEN

Dieses Produkt erfüllt die Anforderungen der Verordnung (EU) über Medizinprodukte (MDR 2017/745) und ist bei bestimmungsgemäßer Verwendung sicher, sofern alle Sicherheitshinweise beachtet werden.

2. BESTIMMUNGSGEMÄßE VERWENDUNG

Der Kompressor wird als Quelle für saubere, ölfreie Druckluft verwendet, um aktive medizinische Geräte zu versorgen, bei denen die Parameter und Eigenschaften der Druckluft für die spezifische Anwendung geeignet sind.



Die durch den Kompressor bereitgestellte Druckluft ist nicht für die Nutzung mit Geräten zur künstlichen Beatmung geeignet, wenn zuvor keine weitere Filterung erfolgte

Jegliche Nutzung des Produkts über die bestimmungsgemäße Verwendung hinaus gilt als unsachgemäße Nutzung. Der Hersteller haftet nicht für Schäden oder Verletzungen aufgrund einer unsachgemäßen Nutzung.

3. GEGENANZEIGEN UND NEBENWIRKUNGEN

Es sind keine Gegenanzeigen oder Nebenwirkungen bekannt.

4. WARNHINWEISE UND SYMBOLE

Die folgenden Symbole werden im Benutzerhandbuch, auf dem Gerät und auf der Verpackung verwendet, um auf wichtige Details und Informationen hinzuweisen:



Allgemeine Warnhinweise



Warnung



Gefahr, Stromschlaggefahr



Siehe Benutzerhandbuch



Befolgen Sie das Benutzerhandbuch



CE-Kennzeichnung



Medizinprodukt



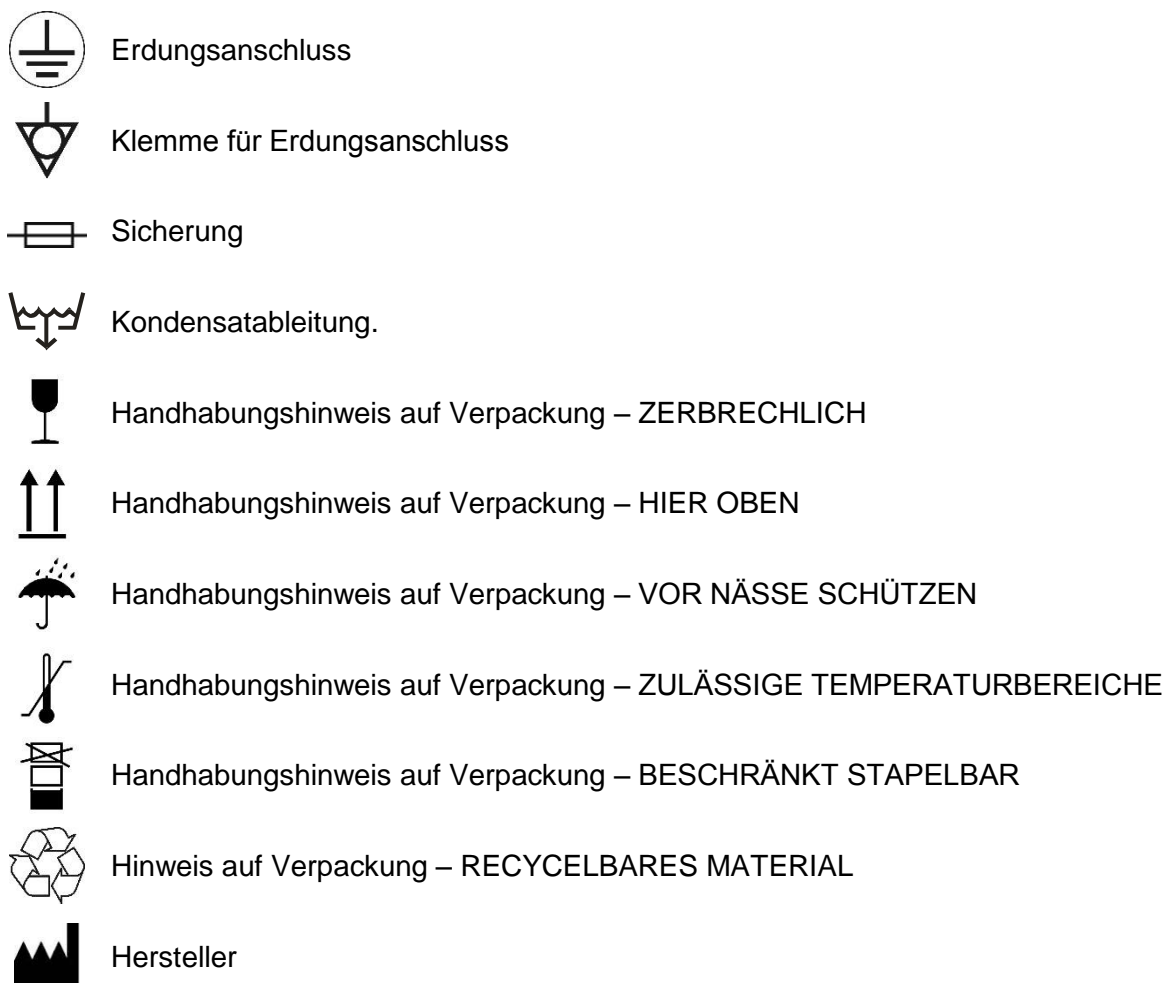
Seriennummer



Der Kompressor wird fernbedient und kann ohne Warnung starten



Vorsicht! Heiße Oberfläche



5. WARNHINWEISE

Das Produkt wurde so entwickelt und hergestellt, dass der Benutzer und die Umgebung sicher sind, wenn das Produkt ordnungsgemäß verwendet wird. Beachten Sie die folgenden Warnhinweise.

5.1. Allgemeine Warnhinweise

LESEN SIE VOR DER VERWENDUNG DES GERÄTS DAS BENUTZERHANDBUCH SORGFÄLTIG DURCH UND BEWAHREN SIE ES FÜR DIE KÜNFTIGE NUTZUNG AUF!

- Das Benutzerhandbuch enthält Anleitungen zur korrekten Installation, Bedienung und Wartung des Produkts. Eine sorgfältige Durchsicht dieses Handbuchs liefert Ihnen die notwendigen Informationen für den korrekten Betrieb des Produkts.
- Die Originalverpackung sollte für die Rücksendung des Geräts aufbewahrt werden. Nur die Originalverpackung garantiert einen optimalen Transportschutz des Geräts. Falls eine Einsendung des Produkts während der Garantiezeit notwendig werden sollte, haftet der Hersteller nicht für Schäden, die auf eine mangelhafte Verpackung zurückzuführen sind.
- Schäden, die durch die Nutzung von anderem als dem vom Hersteller vorgeschriebenen Zubehör entstehen, sind von dieser Gerätegarantie ausgeschlossen.
- Der Hersteller garantiert die Sicherheit, Zuverlässigkeit und Funktion des Geräts nur, wenn:
 - Montage, Neueinstellungen, Änderungen, Erweiterungen und Reparaturen durch den Hersteller oder einen vom Hersteller autorisierten Dienstleister erfolgen
 - das Produkt gemäß den Vorgaben des Benutzerhandbuchs verwendet wird

- Das Benutzerhandbuch entspricht zum Zeitpunkt seines Drucks den Produktmodellen und deren Erfüllung der geltenden Sicherheits- und Technikstandards. Der Hersteller behält alle Rechte an seinen Konfigurationen, Verfahren und Namen.
- Die Übersetzung des Benutzerhandbuchs erfolgte nach bestem Wissen. Bei Unsicherheiten gilt die slowakische Version.
- Dieses Benutzerhandbuch ist die deutsche Übersetzung der Originalanleitung. Die Übersetzung erfolgte nach bestem Wissen.

5.2. Allgemeine Sicherheitswarnungen

Der Hersteller hat das Produkt so entwickelt und hergestellt, dass bei korrekter Nutzung entsprechend der bestimmungsgemäßen Verwendung die Risiken minimal sind. Der Hersteller legt die folgenden Sicherheitsvorschriften für den Gebrauch des Geräts fest.

- Die Verwendung und Bedienung des Produkts muss den am Standort geltenden Vorschriften und Gesetzen entsprechen. Der Bediener und Nutzer des Produkts muss alle gültigen Vorschriften einhalten, um eine sichere Arbeit zu gewährleisten.
- Nur die Nutzung von Originalteilen gewährleistet die Sicherheit des Bedienpersonals sowie ein reibungsloses Funktionieren des Produkts. Es dürfen nur Zubehör- und Ersatzteile verwendet werden, die in der technischen Dokumentation aufgeführt oder ausdrücklich vom Hersteller zugelassen sind.
- Der Bediener muss vor jeder Nutzung das korrekte und sichere Funktionieren des Geräts überprüfen.
- Der Nutzer muss sich mit der Bedienung des Geräts vertraut gemacht haben.
- Das Produkt darf nicht in explosionsgefährdeten Bereichen eingesetzt werden.
- Der Benutzer muss den Lieferanten sofort bei Problemen informieren, die in Verbindung mit dem Betrieb des Geräts auftreten.
- Alle schwerwiegenden Zwischenfälle, die im Zusammenhang mit dem Produkt aufgetreten sind, müssen dem Hersteller und der zuständigen Behörde jenes Mitgliedstaates gemeldet werden, in dem der Anwender und/oder der Patient niedergelassen ist.

5.3. Sicherheitswarnhinweise zum Schutz vor elektrischem Strom

- Das Gerät darf nur an einen ordnungsgemäß installierten Stromkreis angeschlossen werden.
- Vor dem Anschluss des Produkts muss sichergestellt werden, dass die auf dem Gerät angegebene Netzspannung und Netzfrequenz mit den Werten des Versorgungsnetzes übereinstimmen.
- Überprüfen Sie das Gerät vor der Inbetriebnahme auf Schäden an den Druckluftleitungen und Stromkabeln. Beschädigte Druckluftleitungen und Stromkabel sind sofort zu ersetzen.
- Trennen Sie das Produkt sofort vom Stromnetz (dazu Netzkabel aus der Steckdose ziehen), wenn eine Gefahrensituation oder ein technischer Fehler auftritt.
- Stellen Sie bei allen Reparatur- und Wartungsarbeiten sicher, dass:
 - der Netzstecker aus der Steckdose gezogen wurde
 - Der Druck aus allen Druckluftbehältern und -leitungen abgelassen wurde
- Das Gerät muss von einem qualifizierten Fachmann installiert werden.

6. LAGER UND TRANSPORTBEDINGUNGEN

Der Kompressor wird ab Werk in einer Transportverpackung versendet. Diese schützt das Gerät während des Transports vor Schäden.



Die Originalverpackung des Kompressors muss bei jedem Transport verwendet werden. Transportieren Sie den Kompressor in aufrechter Position und stets mit Transportsicherung.



Während des Transports und der Lagerung ist der Kompressor vor Feuchtigkeit, Verunreinigungen und extremen Temperaturen zu schützen. Lagern Sie den Kompressor in seiner Originalverpackung an einem warmen, trockenen und staubfreien Ort. Keinesfalls in der Nähe von chemischen Substanzen lagern.



Bewahren Sie das Verpackungsmaterial auf, sofern möglich. Sollte dies nicht möglich sein, entsorgen Sie das Verpackungsmaterial auf umweltfreundliche Art. Der Verpackungskarton kann mit Altpapier recycelt werden.



Der Kompressor darf nur transportiert werden, wenn alle Luft abgelassen wurde. Der Kompressor darf nur drucklos transportiert werden. Vor dem Transport stets die Druckluft aus dem Druckbehälter und den Druckschläuchen ablassen; zusätzlich das Kondensat aus dem Druckbehälter entleeren.



Lagerung oder Versand des Geräts in einem anderen als in dem vorgeschriebenen Zustand ist strikt untersagt

Umgebungsbedingungen für Lagerung und Transport

Die Produkte dürfen nur unter den folgenden Bedingungen in Fahrzeugen gelagert und transportiert werden, die keine Spuren flüchtiger Chemikalien aufweisen:

Temperatur: -25 °C bis +55 °C, 24 Std. bis +70 °C
Relative Feuchtigkeit: 10 % bis 90 % (nicht kondensierend)

7. TECHNISCHE DATEN

Die Kompressoren wurden für trockene und belüftete Innenräume mit den folgenden Umgebungsbedingungen entwickelt:

Temperatur: +5 °C bis +40 °C

Max. relative Feuchtigkeit: 70 %

Max. absolute Feuchtigkeit: 15 g/m³

TYP	DK50
MODEL	standard
Abgabedurchfluss	50 L.min ⁻¹
Nennspannung / Frequenz Nennstrom V/Hz / A	230/50 / 2.8
Luftfiltration bis μm	-
Druckluftausgang	Schlauchverbinder ø6
Schallpegel dB(A)	≤ 531
Betriebsmodus	dauerhaft - S1
Kondensatablass	manuell
Volumen des Luftbehälters	4.7 L
Arbeitsdruck des Kompressors	4.5 bar – 6 bar
Betriebsdruck des Sicherheitsventils	7 bar
Einstellung des Ausgangsdrucks	-
Kompressorabmessungen BxTxH	440 x 360 x 430 mm
Kompressorabmessungen mit Rädern BxTxH	480 x 390 x 505 mm
Gewicht netto	30 kg
Gewicht netto des Kompressors mit Rädern	31 kg
Ausführung nach STN EN 60601-1	Klasse I

7.1. Korrektur des Luftfördervolumens (FAD) unter Berücksichtigung der Höhe über dem Meeresspiegel

FAD-Korrekturtabelle

Höhe über dem Meeresspiegel in Metern [m ü. NHN]	0 – 1500	1501 – 2500	2501 – 3500	3501 – 4500
FAD [l/min]	FAD x 1	FAD x 0,8	FAD x 0,71	FAD x 0,60

Bedingungen für FAD (Free Air Delivery)-Ausgabe:

Höhendaten: 0 m ü. NHN

Temperatur: 20 °C

Umgebungsdruck: 101325 Pa

Relative Feuchtigkeit: 0 %

7.2. Konformitätserklärung für elektromagnetische verträglichkeit

Medizinische Geräte erfordern spezielle Vorsichtsmaßnahmen in Bezug auf elektromagnetische Verträglichkeit (EMV) und müssen entsprechend den nachfolgenden EMV-Angaben installiert und verwendet werden.

Anleitung und Herstellererklärung – elektromagnetische Emissionen		
Gemäß IEC 60601-1-2:2014 - Medizinische elektrische Geräte - Teil 1-2: Allgemeine Festlegungen für die Sicherheit einschließlich der wesentlichen Leistungsmerkmale – Ergänzungsnorm: Elektromagnetische Störgrößen - Anforderungen und Prüfungen		
Das Gerät ist für die Verwendung in der nachfolgend beschriebenen elektromagnetischen Umgebung bestimmt: Der Kunde oder Benutzer des Geräts sollte sicherstellen, dass sie in einer derartigen Umgebung zum Einsatz kommt.		
Emissionsprüfung	Compliance	Elektromagnetische Umgebung – Anleitung
HF-Emissionen CISPR 11	Gruppe 1	Das Gerät verwendet HF-Energie nur für seine internen Funktionen. Deshalb sind die HF-Emissionen sehr niedrig, und es ist unwahrscheinlich, dass sie Störungen mit elektronischen Geräten in der Nähe verursachen.
HF-Emissionen CISPR 11	Klasse B	Das Gerät ist zur Verwendung in allen Einrichtungen geeignet, einschließlich in häuslichen Einrichtungen und solchen, die direkt an das öffentliche Niederspannungsversorgungsnetzwerk angeschlossen sind, das Gebäude für Wohnzwecke versorgt.
Oberwellenemissionen IEC 61000-3-2	Klasse A	
Spannungsschwankungen/Flicker IEC 61000-3-3	Es ist unwahrscheinlich, dass das Gerät Flackern verursacht, da der Stromfluss nach dem Einschalten ziemlich konstant ist.	

Anleitung und Herstellererklärung – elektromagnetische Immunität

Gemäß IEC 60601-1-2:2014 - Medizinische elektrische Geräte - Teil 1-2: Allgemeine Festlegungen für die Sicherheit einschließlich der wesentlichen Leistungsmerkmale – Ergänzungsnorm: Elektromagnetische Störgrößen - Anforderungen und Prüfungen

Das Gerät ist für die Verwendung in der nachfolgend beschriebenen elektromagnetischen Umgebung bestimmt: Der Kunde oder Benutzer des Geräts sollte sicherstellen, dass sie in einer derartigen Umgebung zum Einsatz kommt.


Immunitätsprüfung	IEC 60601-1-2 Teststufe	Compliance-Stufe	Elektromagnetische Umgebung – Anleitung
Elektrostatische Entladung (ESD) IEC 61000-4-2	±8 kV Kontakt ±15 kV Luft	±8 kV Kontakt ±15 kV Luft	Böden sollten aus Holz, Beton oder Keramikfliesen sein. Wenn Böden mit synthetischen Materialien ausgelegt sind, sollte die relative Feuchtigkeit mindestens 30 % betragen.
Elektrische Störgrößen/Burst IEC 61000-4-4	±2 kV für Netzstrom- leitungen ±1 kV für Eingangs- /Ausgangsleitungen	±2 kV 100 kHz Wiederholfrequenz Angewandt für Netzanschluss	Die Netzstromqualität sollte die einer typischen Gewerbe- oder Krankenhausumgebung sein.
Überspannung IEC 61000-4-5	±1 kV Differenzmodus ±2 kV Gleichtakt	±1 kV L-N ±2 kV L-PE; N-PE Angewandt für Netzanschluss	Die Netzstromqualität sollte die einer typischen Gewerbe- oder Krankenhausumgebung sein.
Spannungseinbrüche, kurze Unterbrechung und Spannungs- abweichungen bei Netzstrom- Eingangsleitungen IEC 60601-4-11	$U_T = 0 \%$, 0,5 Zyklus (bei 0, 45, 90, 135, 180, 225, 270 und 315°) $U_T = 0 \%$, 1 Zyklus $U_T = 70 \%$ 25/30 Zyklen (bei 0°) $U_T = 0 \%$ 250/300 Zyklen	$U_T = > 95 \%$, 0,5 Zyklus (bei 0, 45, 90, 135, 180, 225, 270 und 315°) $U_T = > 95 \%$, 1 Zyklus $U_T = 70 \%$ (30 % Einbruch U_T), 25(50Hz)/30(60Hz) Zyklen (bei 0°) $U_T = > 95 \%$, 250(50Hz)/300(60Hz) Zyklus	Die Netzstromqualität sollte die einer typischen Gewerbe- oder Krankenhausumgebung sein. Das Gerät stoppt und startet automatisch bei jedem Einbruch. In diesem Fall tritt kein nicht akzeptabler Druckabfall auf.
Netzfrequenz (50/60 Hz) IEC 61000-4-8	30 A/m	30 A/m	Magnetfelder der Netzfrequenz sollten den typischen Werten eines typischen Standorts in einer typischen Gewerbe- oder Krankenhausumgebung entsprechen.

HINWEIS: U_T ist die Wechselstromspannung vor der Anwendung der Teststufe.

Anleitung und Herstellererklärung – elektromagnetische Immunität

Gemäß IEC 60601-1-2:2014 - Medizinische elektrische Geräte - Teil 1-2: Allgemeine Festlegungen für die Sicherheit einschließlich der wesentlichen Leistungsmerkmale – Ergänzungsnorm: Elektromagnetische Störgrößen - Anforderungen und Prüfungen

Das Gerät ist für die Verwendung in der nachfolgend beschriebenen elektromagnetischen Umgebung bestimmt: Der Kunde oder Benutzer des Geräts sollte sicherstellen, dass sie in einer derartigen Umgebung zum Einsatz kommt.

Immunitätsprüfung	IEC 60601-1-2 Teststufe	Compliance-Stufe	Elektromagnetische Umgebung – Anleitung
Geleitete HF IEC 61000-4-6	3 Vrms 150 kHz bis 80MHz	3 Vrms	Tragbare und mobile HF-Kommunikationsgeräte sollten nicht näher an einem Teil des Geräts, einschließlich Kabeln, sein, als der empfohlene Trennabstand, der aus der jeweiligen Gleichung für die Frequenz des Senders berechnet wird. Empfohlener Trennabstand $d=1,2\sqrt{P}$ $d=1,2\sqrt{P}$, 80 MHz bis 800 MHz $d=2,3\sqrt{P}$, 800 MHz bis 2,7 GHz
Gestrahlte HF IEC 61000-4-3	3 V/m 80 MHz bis 2,7 GHz	3 V/m	wobei P die maximale Ausgangsnennleistung des Senders in Watt (W) gemäß Hersteller des Senders ist und d den empfohlenen Trennabstand in Metern (m) bezeichnet.
Abstand von HF-Drahtloskommunikationsgeräten IEC 61000-4-3	9 bis 28 V/m 15 spezifische Frequenzen (380 bis 5800 MHz)	9 bis 28 V/m 15 spezifische Frequenzen (380 bis 5800 MHz)	Feldstärken aus feststehenden HF-Sendern, wie durch eine elektromagnetische Standortuntersuchung ^a festgelegt, sollten weniger als die Compliance-Stufe in jedem Frequenzbereich ^b betragen. Interferenz kann in der Nähe von Geräten auftreten, die mit dem folgenden Symbol gekennzeichnet sind: 

HINWEIS 1 Bei 80 MHz und 800 MHz gilt der jeweils höhere Frequenzbereich.

HINWEIS 2 Diese Richtlinien gelten möglicherweise nicht in allen Situationen. Elektromagnetische Ausbreitung wird durch die Absorption und Reflektion von Strukturen, Objekten und Personen beeinflusst.

^a Feldstärken von feststehenden Sendern, z. B. Basisstationen für Funktelefone (mobil/kabellos) und mobiler Landfunk, Amateurfunk, AM- und FM-Radioubertragung und TV-Übertragung können theoretisch nicht mit Genauigkeit prognostiziert werden. Für die Bewertung eines elektromagnetischen Umfeldes aufgrund von feststehenden HF-Sendern sollte eine elektromagnetische Standortüberprüfung in Betracht gezogen werden. Wenn die gemessene Feldstärke an dem Standort, an dem das Gerät verwendet wird, die oben genannte geltende HF-Compliance-Stufe übersteigt, sollte das Gerät beobachtet werden, um den Normalbetrieb zu überprüfen. Wenn ein abnormes Verhalten festgestellt wird, sind möglicherweise zusätzliche Maßnahmen erforderlich, z. B. Neuausrichtung oder Standortwechsel des Geräts.

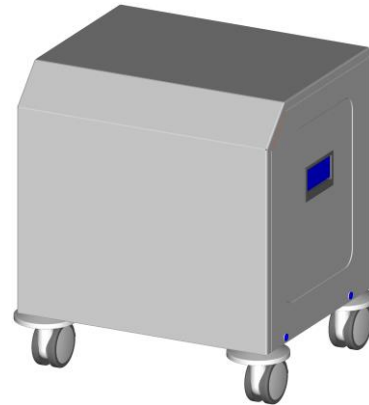
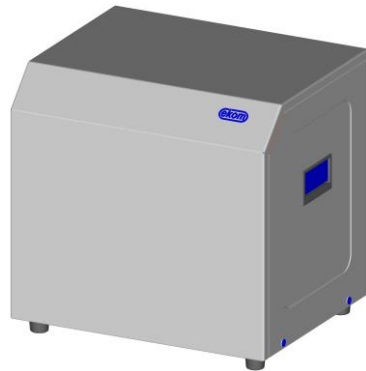
^b Über den Frequenzbereich von 150 kHz bis 80 MHz sollten die Feldstärken weniger als 3 V/m betragen.

8. PRODUKTBESCHREIBUNG

8.1. Varianten

Die Kompressorenmodelle gibt es in den folgenden Versionen:

Dentalkompressor DK50 ölfreier Kompressor, auf Grundplatte montiert mit Schallschutzgehäuse



Auf Kundenwunsch wird der Kompressor mit Gummifüßen oder Laufrollen geliefert (2 mit Bremsen (22) vorne und 2 ohne Bremsen (23) hinten).



Kompressordruckluft ohne zusätzliche Filtrationseinrichtung ist nicht geeignet für den Betrieb von Atemgeräten oder ähnlichen Geräten.



Der Kompressor besitzt keine Reserveenergiequelle.

9. FUNKTIONSBESCHREIBUNG

(Abb.1)

Kompressor

Atmosphärische Luft wird durch das Kompressoraggregat (1) über den EingangsfILTER angesaugt und durch das Rückschlagventil (3) in den Druckluftbehälter (2) bis zum eingestellten Abschalt-Druck gepresst. Der Kompressor schaltet sich aus. Die Druckluft wird vom Druckluftbehälter durch ein Verbrauchgerät abgenommen, der Luftdruck sinkt dadurch bis zu dem am Druckschalter (4) eingestellten Schaltdruck ab. Der Kompressor wird wieder eingeschaltet. Das Sicherheitsventil (5) verhindert die Drucküberschreitung im Druckbehälter über den höchstzulässigen Wert. Das Kondensat im Druckluftbehälter wird durch das Ablassventil (8) abgelassen.

Der Kompressorkasten (16) dient zur Kompaktabdeckung des Kompressors und dem Schallschutz. Durch den gleichzeitig mit dem Motor laufenden Lüfter (6) wird der Kompressor gekühlt. Nach einem längeren Kompressorlauf kann die Temperatur im Gehäuse über 40 °C ansteigen. Der Lüfter läuft so lange nach, bis die Temperatur im Gehäuse unter ca. 32 °C abfällt. Durch den Halter (18) wird das Zuleitungskabel gegen Ausreißen vom Verbindungsstecker (16) gesichert.



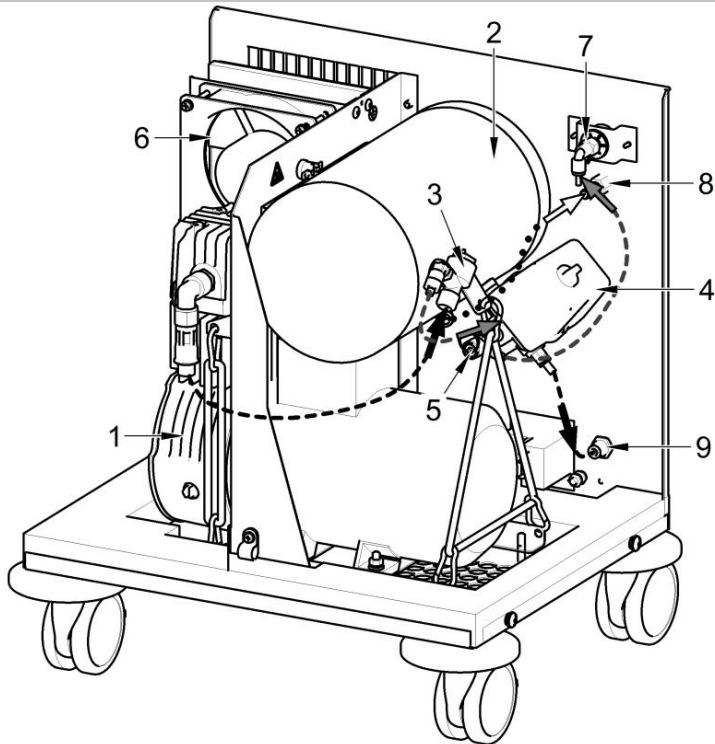
Stellen Sie sicher, dass der Luftstrom unter und rund um den Kompressor nicht beeinträchtigt wird. Bedecken Sie niemals den Warmluftausgang an der oberen Rückseite des Gehäuses.



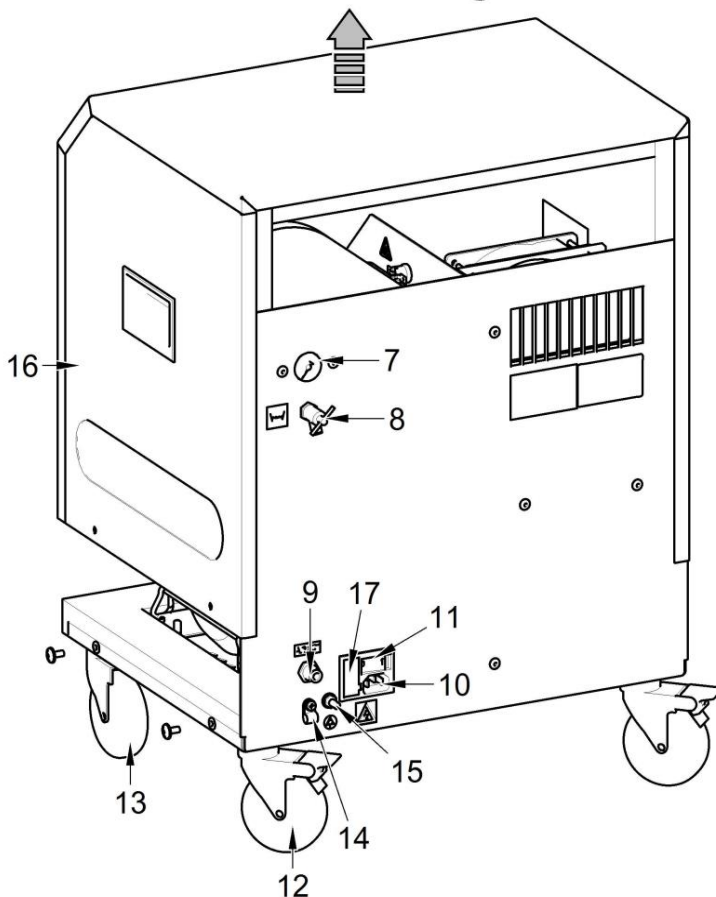
Wird der Kompressor auf eine weiche Unterlage (z.B. auf einen Teppich) gestellt, muss durch harte Unterlagen ein ausreichender Abstand zwischen dem Unterboden und dem Boden oder dem Schrank und dem Boden gewährleistet werden, um eine entsprechende Kühlleistung zu garantieren.

Abb. 1: Kompressor

**Beschreibung für
Abbildungen:**

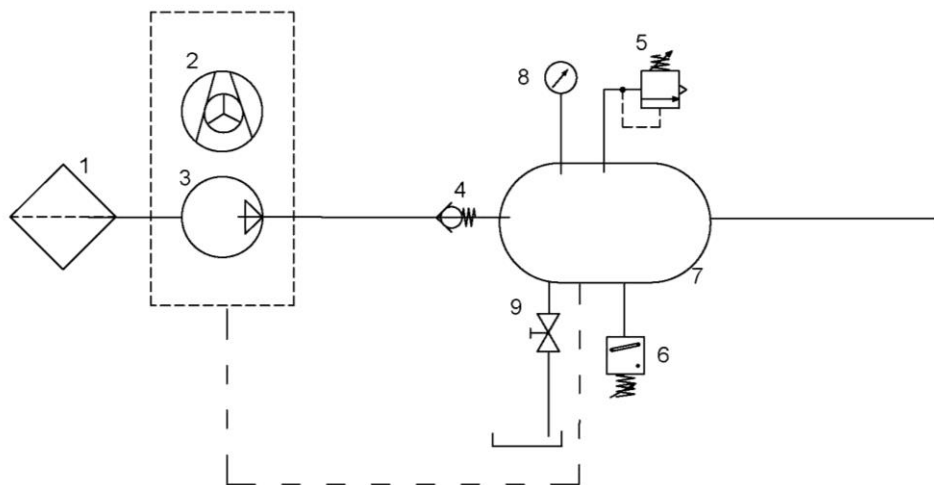


- 1 Kompressoraggregat
- 2 Druckluftspeicher
- 3 Rückschlagventil
- 4 Druckschalter
- 5 Sicherheitsventil
- 6 Kompressorventilator
- 7 Manometer
- 8 Ablassventil des Kondensats
- 9 Druckluftausgang
- 10 Verbindungsstecker
- 11 Netzschalter
- 12 Drehräderchen
- 13 Räderchen
- 14 Netzschnurhalter
- 15 Klemme der Äquipotentialverbindung
- 16 Kompressorabdeckung
- 17 Sicherungsgehäuse mit Sicherungen



10. DRUCKLUFTPLAN

DK50

**Legende für Druckluftplan**

- 1 Ansaugfilter
- 2 Kompressorlüfter
- 3 Kompressor
- 4 Rückschlagventil
- 5 Sicherheitsventil
- 6 Druckschalter
- 7 Luftbehälter
- 8 Druckmesser des Luftbehälters
- 9 Ablassventil des Kondensats

INSTALLATION

11. EINSATZBEDINGUNGEN

- Kompressoren dürfen nur in trockenen, gut belüfteten und sauberen Umgebungen mit Umweltbedingungen verwendet werden, die die in Kapitel 7, Technische Daten, definierten Anforderungen erfüllen. Der Kompressor muss so installiert werden, dass er für die Bedienung und Wartung jederzeit leicht zugänglich ist. Stellen Sie sicher, dass das Typenschild auf dem Gerät einfach zu lesen ist.
- Der Kompressor muss auf einer ebenen und ausreichend stabilen Grundlage stehen (bezogen auf das Gewicht des Kompressors ist Vorsicht geboten, siehe Kapitel 7, Technische Daten).
- Kompressoren dürfen nicht im Freien oder in sonstigen nassen oder feuchten Umgebungen verwendet werden. Verwenden Sie den Kompressor nicht in der Nähe von explosiven Gasen, Staub oder brennbaren Flüssigkeiten.
- Vor Einbau des Kompressors in ein medizinisches Gerät muss der Lieferant bestätigen, dass alle Bedingungen für die Nutzung erfüllt sind. Beachten Sie die technischen Daten des Produkts. Der Hersteller bzw. Lieferant des Geräts muss bei der Aufstellung des Geräts eine Klassifizierung und Bewertung zur Kompatibilität vornehmen.
- Jede über diesen Nutzungsrahmen hinausgehende Verwendung wird als unsachgemäße Nutzung betrachtet. Der Hersteller ist nicht verantwortlich für Schäden, die aus einer solchen unsachgemäßen Nutzung entstehen. Der Bediener/Nutzer übernimmt alle Risiken.



Der Kompressor darf nur durch eine hierfür qualifizierte Fachkraft installiert und in Betrieb genommen werden. Diese Fachkraft ist verpflichtet, professionelles Bedienpersonal bzgl. der Nutzung und Wartung des Geräts zu schulen. Der Installateur bestätigt die Installation und Schulung aller Mitarbeiter durch seine Unterschrift im Installationszertifikat.



Stellen Sie vor der Installation sicher, dass der Kompressor frei von Verpackungsmaterial und Stabilisatoren ist, um Schäden am Produkt zu vermeiden



Teile des Aggregats werden möglicherweise heiß und können während des Kompressorbetriebs hohe Temperaturen erreichen und hierdurch ein Risiko für Bediener und Materialien darstellen. Verbrennungs- oder Brandgefahr! Vorsicht! Heiße Oberfläche!



Das Kabel zum Anschluss an das elektrische Netz als auch die Luftschläuche dürfen nicht geknickt sein. Das Zuleitungskabel darf nicht durch Zug, Druck und Übertemperatur beansprucht werden.



Wenn Sie das Produkt erstmals einsetzen, stellen Sie möglicherweise (für kurze Zeit) einen Geruch nach „neuem Produkt“ fest. Dieser Geruch ist vorübergehend und beeinträchtigt die normale Nutzung des Produkts nicht. Sorgen Sie dafür, dass der Raum nach der Installation richtig gelüftet wird.

Umgebungsbetriebsbedingungen

Temperatur: +5 °C bis +40 °C,
Max. relative Feuchtigkeit: 70 %
Max. absolute Feuchtigkeit: 15 g/m³.

12. AUFSTELLUNG DES KOMPRESSORS



Das Gerät darf nur von einem qualifizierten Fachmann installiert werden.



Die Fixierschrauben für einen eventuellen späteren Transport des Kompressors aufbewahren.

- Nehmen Sie den Kompressor aus seiner Verpackung.

12.1. Entfernen der Transportsicherungen

Die vier durch rote Warnscheiben gekennzeichnete Schrauben M6 am Geräteunterteil abschrauben.

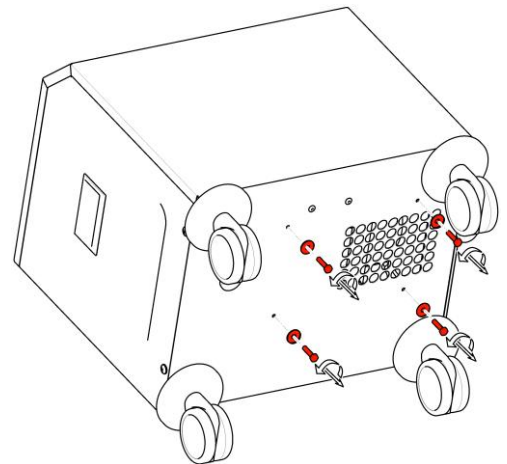


Abb. 2

Die Laufrollen einrasten

Bevor ein mit Laufrollen ausgestatteter Kompressor in Betrieb genommen wird, muss er gesichert werden, damit er sich nicht bewegt.

Die Laufrollen einrasten!

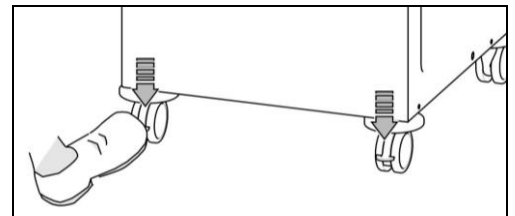


Abb. 3

FüÙe anbringen

Bei Kompressormodellen mit FüÙen müssen die FüÙe entsprechend der Abbildung befestigt werden

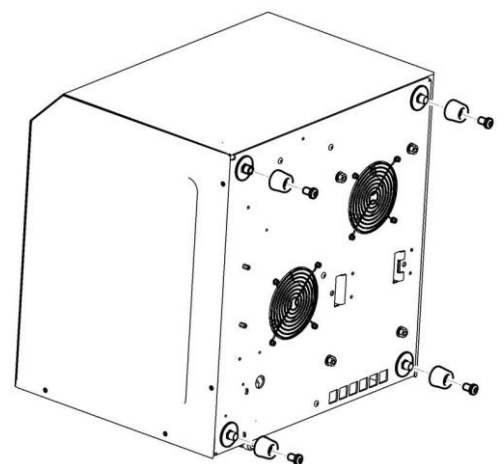
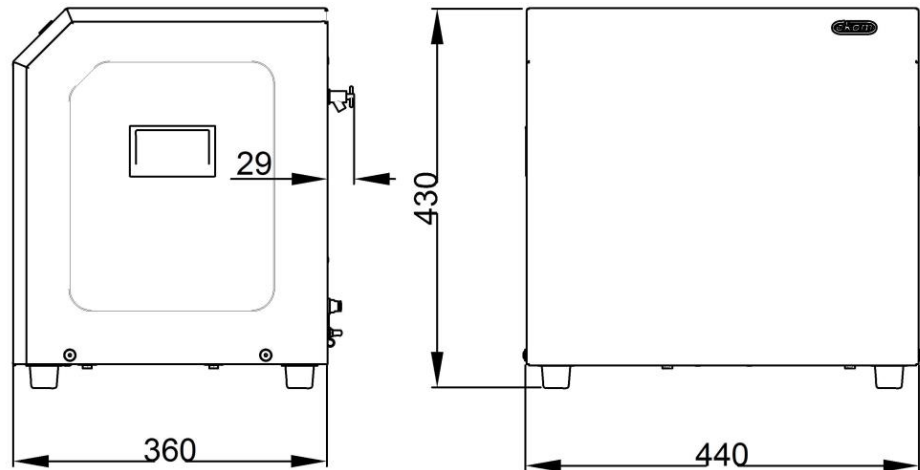


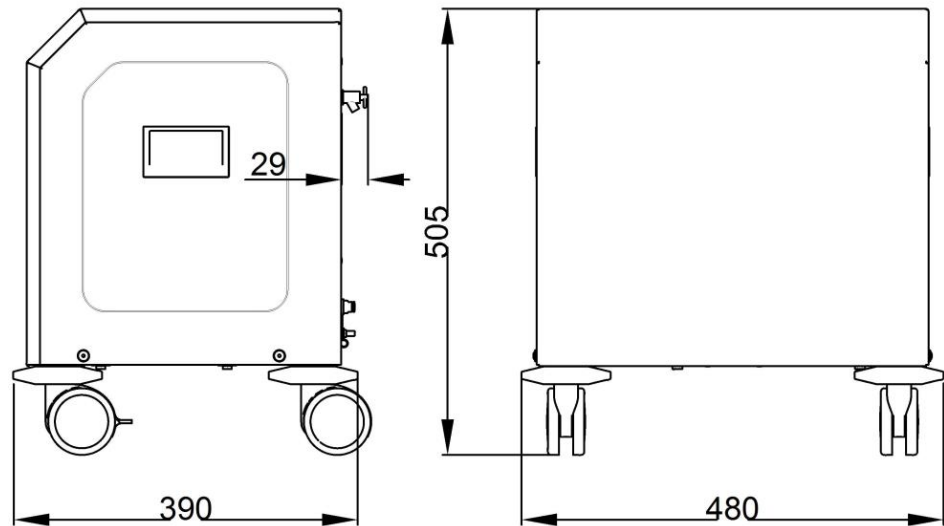
Abb. 4

12.2. Installationsschema

Kompressor mit Fuß



Kompressor mit Laufrollen



13. PNEUMATISCHE ANSCHLÜSSE

13.1. Anschluss an den Druckluftausgang

Zahnärztlicher Kompressor, ausgestattet mit einem Ablauf für die Druckluft, OUT (9), hinten am Gehäuse.

Den Druckluftschlauch zur Verbindung mit der Dentalgarnitur an dem Druckluftausgang (9) anschließen

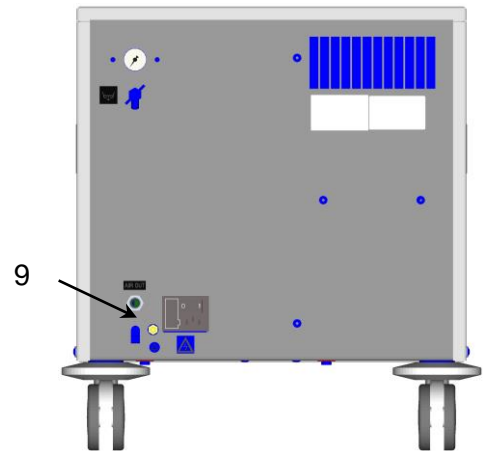


Abb.5

14. ELEKTRISCHE ANSCHLÜSSE



Den Netzstecker in eine Schutzkontaktsteckdose einstecken. Das Gerät wird mit einem Netzkabel mit Schutzkontaktstecker geliefert. Beim Anschließen an das Stromnetz ist es notwendig, die regionalen elektrotechnischen Vorschriften zu beachten. Netzspannung und Netzfrequenz müssen mit den Angaben auf dem Gerätetypenschild übereinstimmen

(Abb.1)

- Die Steckdose muss aus Sicherheitsgründen gut zugänglich sein, damit das Gerät bei Gefahr schnell vom Netz getrennt werden kann.
- Der zugehörige Stromkreis muss im elektrischen Verteilungsnetz abgesichert werden.
- Leitungen für den elektrischen Potentialausgleichs an der Klemme (15) befestigen.
- Sichern Sie das Zuleitungskabel an der Zugentlastung (14)!
- Das Gerät wird durch Sicherungen geschützt, die sich in einem Sicherungsgehäuse (17) unter der Abdeckung des Hauptschalters befinden.



Stellen Sie sicher, dass das Stromkabel keine heißen Komponenten des Kompressors berührt. Achtung, Stromschlaggefahr!



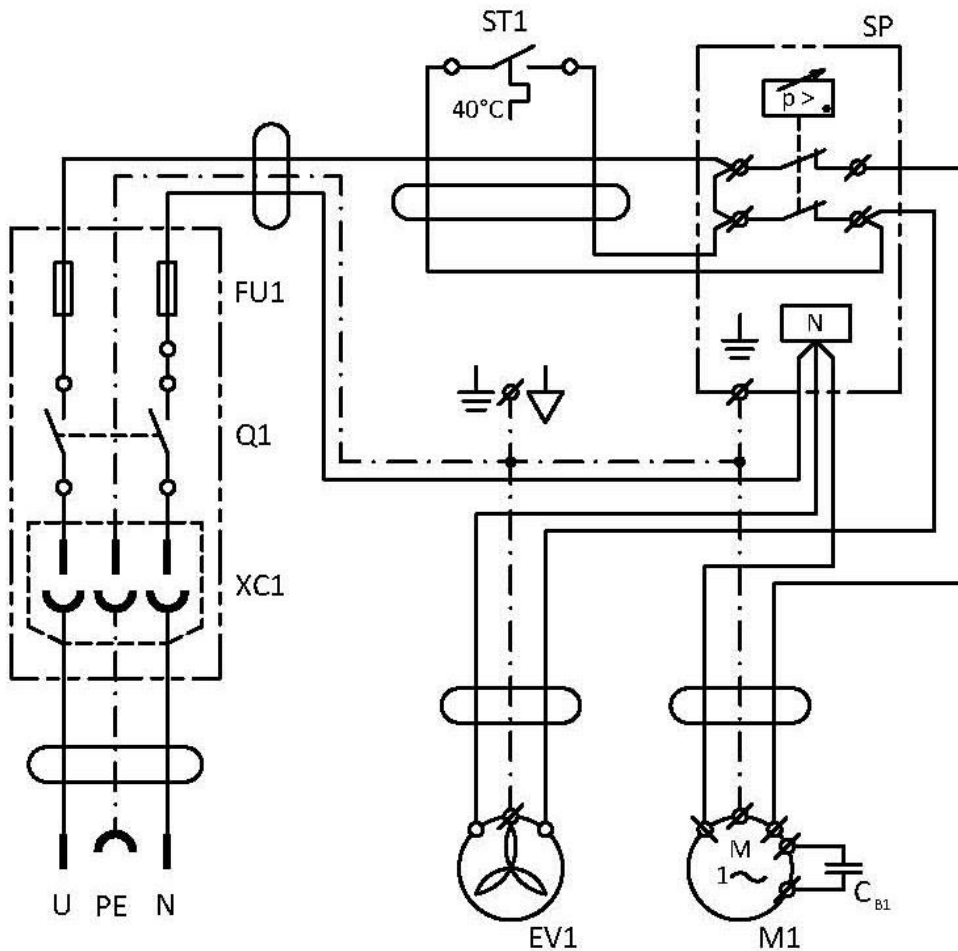
Das Elektrokabel darf keine heißen Kompressorteile berühren. Es besteht Gefahr der Isolierungsbeschädigung! Elektrische Leitungen und Druckluftleitungen dürfen nicht geknickt werden.

15. ANSCHLUSSDIAGRAMM

DK50

1/N/PE 230 V, 50 Hz

ELEKTRISCHES OBJEKT 1. KAT.



Legende für Elektroschaltplan

M1	Motor des Kompressors
E1	Ventilator des Kompressors
ST 1	Wärmeschalter
CB1	Kondensator
SP	Druckschalter
FU	Sicherungen
Q1	Hauptschalter
XC1	Anschluss

BEDIENUNG



Das gerät darf nur durch geschultes personal bedient werden!



Bei Gefahr das Gerät vom Stromnetz trennen – den Netzschalter ausschalten und den Netzstecker ziehen.



Kompressorteile werden sehr heiß. Bei einer Berührung besteht Verbrennungsgefahr.



Bei längerem Betrieb des Kompressors erhöht sich die Temperatur im Gehäuse über 40°C, wodurch sich der Kühlventilator automatisch einschaltet. Nach Abkühlung der Temperatur im Gehäuse unter etwa 32°C schaltet sich der Kühlventilator wieder aus.



Automatischer Start – Sinkt der Druck im Druckbehälter unter den Einschaltdruck, schaltet sich der Kompressor automatisch ein. Der Kompressor schaltet sich automatisch aus, wenn der Druck im Drucklufttank den Abschaltdruck erreicht.



Die Einstellungen des Arbeitsdrucks für den Druckschalter, die vom Hersteller eingestellt sind, können nicht geändert werden. Der Kompressorbetrieb bei einem Betriebsdruck unter dem Schaltdruck weist auf einen hohen Luftverbrauch hin (siehe Kapitel Störungen).

16. ERSTE INBETRIEBNAHME

(Abb.1)

- Kontrollieren, ob alle Transportsicherungen entfernt wurden.
- Ordnungsgemäßen Anschluss aller Druckluftleitungen kontrollieren.
- Ordnungsgemäßen Anschluss ans elektrische Stromnetz kontrollieren.
- Netzschalter (11) einschalten.



Der Kompressor besitzt keine Reserveenergiequelle.

17. EINSCHALTEN DES KOMPRESSORS

Das Gerät wird an dem an der Geräterückseite befindlichen Schalter eingeschaltet. Der Kompressor startet. (siehe Punkt 9 „Funktionsbeschreibung“)

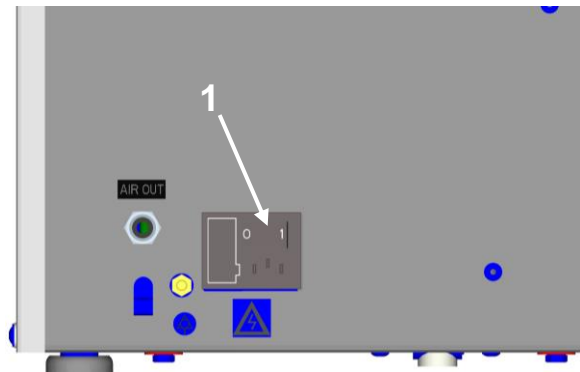


Abb.6



Anpassungen an den Druckbereich des Kompressor-Druckschalters sind unzulässig. Der Druckschalter wurde vom Hersteller eingestellt. Diese Einstellungen dürfen nur von einem vom Hersteller geschulten, qualifizierten Techniker geändert werden.

WARTUNG

18. WARTUNG DES GERÄTS

Warnung!

Der Bediener muss mindestens alle 24 Monate (EN62353) oder in Intervallen, die durch geltende nationale Rechtsvorschriften vorgegeben sind, das Gerät regelmäßig testen. Die Testergebnisse sind aufzuzeichnen (z. B. gemäß EN 62353, Anhang G), darin sind auch die Messverfahren zu nennen.



Bevor Sie mit den Wartungsarbeiten am Kompressor beginnen, stellen Sie sicher, dass der Kompressor vom Gerät getrennt ist, um die Person, die am Gerät arbeitet, nicht zu gefährden und um Sachschäden zu vermeiden!



Aggregatkomponenten (Köpfe, Zylinder, Druckschlauch usw.) sind während und direkt nach dem Kompressorbetrieb sehr heiß – Komponenten nicht berühren!



Reparaturarbeiten, die den Rahmen der normalen Wartung überschreiten, dürfen nur durch qualifizierte Fachleute oder durch den Kundendienst des Herstellers ausgeführt werden. Dabei dürfen nur vom Hersteller zugelassene Ersatzteile und zugelassenes Zubehör verwendet werden.



SCHÜTZEN SIE IHRE AUGEN. TRAGEN SIE EINE SCHUTZBRILLE, WENN SIE DRUCKLUFT AUS DEM DRUCKLUFTKREISLAUF (DRUCKLUFTTANK) ENTLASSEN.

Die nachfolgenden Arbeiten dürfen nur von geschultem Personal wie folgt ausgeführt werden:



BEVOR SIE MIT WARTUNGSARBEITEN BEGINNEN, TRENNEN SIE DEN KOMPRESSOR VOM NETZSTROM (NETZSTECKER ZIEHEN) UND LASSEN SIE DIE DRUCKLUFT AUS DEM LUFTBEHÄLTER AB.



Vor Wartungs- oder Servicearbeiten und vor dem Anschließen/Trennen der Druckluftversorgung das Gerät abkühlen lassen!

18.1. Wartungsintervalle

Zeitintervall	einmal täglich	einmal wöchentlich	einmal jährlich	Alle 2 Jahre	Alle 4 Jahre	2000 Stunden	4000 Stunden	6000 Stunden	8000 Stunden	Kap.	Ersatzteil-Set dielov	Ausgeführt durch
												Benutzer
Kondensat aus Druckluftbehälter ablassen – bei hoher Luftfeuchtigkeit)	X									18.2		
Kondensat aus Druckluftbehälter ablassen b) - Bei normaler Luftfeuchtigkeit		X								18.2		
Kontrolle des Sicherheitsventils			X							18.3		Qualifizierte Fachkraft
Kontrolle der Einrichtung				X						18.4		Qualifizierte Fachkraft
Austausch der Filter der Luftpumpe) ^a					X				X	18.5	025000012-000 025000005-000	Qualifizierte Fachkraft
Führen Sie eine „Wiederholungsprüfung“ nach EN 62353 aus				X						18.	-	Qualifizierte Fachkraft

a) Daten werden in Stunden angegeben; falls nicht möglich, werden die Daten in Jahren angegeben

TÄTIGKEITSBESCHREIBUNG:

Abnehmen der Abdeckung

- Drehen Sie die 4 Schrauben aus der vorderen Abdeckung heraus
- Schalten Sie die Erdungsleitung ab
- Entfernen Sie die vordere Abdeckung
- Bauen Sie alles in umgekehrter Reihenfolge wieder zusammen

18.2. Kondensatablass



Das Ablassventil vorsichtig und langsam öffnen. Wird das Ablassventil schnell geöffnet, ist ein lautes Geräusch zu hören und das angesammelte Kondensat stürzt in einem nicht kontrollierbaren Schwall heraus.

Aus dem Druckbehälter (Abb.1)

Den Kompressor vom Stromnetz trennen und den Luftdruck auf max. 1 bar z.B. durch Ablassen aus einem angeschlossenen Gerät ablassen. Ein Gefäß unter das Ablassventil (8) stellen und das Kondensat ablassen. Das Ablassventil (8) wieder schließen.



Überwachen Sie den Füllstand im Behälter mithilfe der 1-L- oder 2-L-Markierungen (je nach Fassungsvermögen des Behälters) und entleeren Sie den Behälter mindestens einmal täglich. Der Behälter kann überlaufen, wenn das Kondensat nicht zum festgelegten Intervall entleert wird.



Bei einem Behälterüberlauf besteht Rutschgefahr auf nassem Boden.

18.3. Kontrolle des Sicherheitsventils

Bei der ersten Inbetriebnahme des Kompressors ist es notwendig, die ordnungsgemäße Funktion des Sicherheitsventils zu kontrollieren. Das Sicherheitsventil **nur kurz** frei ausblasen lassen.



Abb.7



Verwenden Sie das Sicherheitsventil niemals, um Druckluft aus dem Druckluftbehälter abzulassen. Das könnte das Sicherheitsventil beschädigen. Das Ventil ist durch den Hersteller auf den maximal zulässigen Druck voreingestellt. Justierungen sind nicht zulässig!!



ACHTUNG! DRUCKLUFT IST GEFÄHRLICH UND KANN ZU AUGENVERLETZUNGEN FÜHREN! KANN ZU AUGENVERLETZUNGEN FÜHREN.

18.4. Kontrolle der Einrichtung

Dichtheitsprüfung:

- Druckluftabnahme einstellen.
- Den Windkessel unter Druck setzen (die Zwangsauslösung des Kompressors kann z.B. durch kurzes Ablassen von Druckluft durch ein angeschlossenes Gerät erreichen)

- Der Kompressor darf nicht wenigstens 10 Minuten lang automatisch starten.
- Sinkt der Druck, dann ist die undichte Stelle mit Hilfe der Seifenlösung aufzusuchen – vorerst außer dem Kasten, dann im Kasten, nachdem dieser demontiert wurde.
- Die festgestellte Undichtheit durch Nachziehen, ggf. durch eine neue Dichtung entfernen.

Allgemeine Durchsicht:

- Das Kompressoraggregat auf Laufeigenschaft, Geräuschentwicklung und Pumpleistung überprüfen. Die Pumpzeit von 0-6 bar darf max.36 sec betragen.
- Aufhängung des Aggregates überprüfen.
- Kontrolle der Lüfterfunktion.
- Allgemeine Kontrolle:
- Kurbelgehäuse auf Abrieb überprüfen, Kurbelwelle und Pleuelstangen auf Spiel überprüfen.

18.5. Austausch der Filter der Luftpumpe



Vorsicht – heiße Oberfläche! Über den Abbau: Die interne Rückwand kann heißer als die innere Oberfläche sein.

- Die Abdeckung abbauen. Diese Filtereinlagen befinden sich in der oberen Abdeckung des Kurbelgehäuses.
- Entfernen Sie die biegsame Schutzvorrichtung mithilfe eines Schraubenziehers.
- Entfernen Sie die benutzten und verschmutzten Filter (A), (B).
- Setzen Sie ein neues Zuluftfilterset ein (B).
- Setzen Sie den Vorfilter (A) in die biegsame Schutzvorrichtung (mit der einfachen Seite in das Kurbelgehäuse) und dann in die Öffnung ein.



Abb.8

18.6. Reinigung und Desinfektion von Produktaußenflächen

Zur Reinigung und Desinfektion der Produktaußenflächen nur neutrale Mittel benutzen.



Anwendung von Alkohol und Chlorid enthaltenden aggressiven Reinigungs- und Desinfektionsmitteln kann zur Produktoberflächenbeschädigungen und zur deren Verfärbung führen.

18.7. Befestigung vor dem Transport

Muss der Kompressor zu Wartungs-oder Reparaturzwecken transportiert werden ist es erforderlich die Transportsicherung (4 x Schraube M6) wieder einzusetzen.

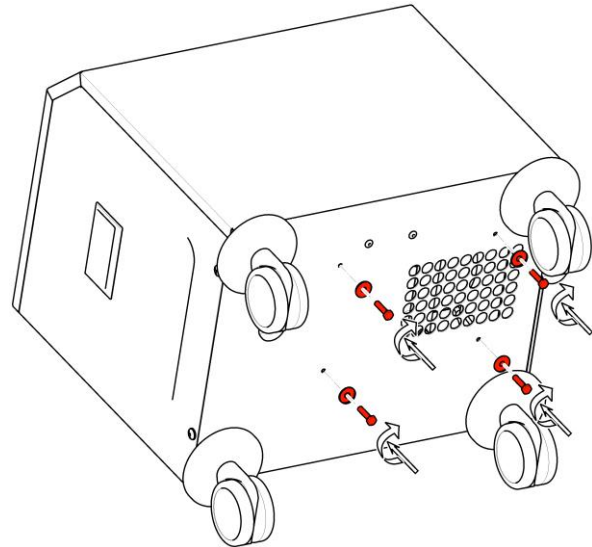


Abb.9

FEHLERSUCHE UND FEHLERBEHEBUNG



Vor einem Eingriff in das Gerät ist es notwendig, den Luftdruck im Druckbehälter auf Null zu verringern und das Gerät vom Stromnetz zu trennen.

Tätigkeiten, die mit der Fehlerbehebung zusammenhängen, dürfen nur durch qualifiziertes Personal des Servicedienstes durchgeführt werden.

STÖRUNG	MÖGLICHE URSACHE	BEHEBUNGSHINWEISE
Kompressor springt nicht an	Netzspannung fehlt Unterbrechung der Motorwicklung, Wärmeschutz beschädigt, fehlerhafter Kondensator, festgelaufener Kolben oder anderes Rotationsteil beschädigt, Druckschalter schaltet nicht bzw. ist nicht eingeschaltet Geschmolzene Sicherung in Sicherungsgehäuse	Spannungskontrolle an der Steckdose Kontrolle der Sicherung – fehlerhafte Sicherung wechseln Gelöste Klemmen festziehen Kontrolle des elektrischen Kabels - fehlerhaftes Kabel ersetzen Motor wechseln bzw. neu wickeln Kondensator wechseln, beschädigte Teile wechseln, Die Funktion des Druckschalters überprüfen Sicherungen kontrollieren – alle fehlerhaften Sicherungen austauschen
Kompressor schaltet oft	Luftundichtigkeiten innerhalb des Drucksystems Undichtigkeit des Rückschlagventils (RV) größere Menge kondensierter Flüssigkeit im Druckbehälter	Kontrolle des Drucksystems – undichte Verbindungen abdichten RV reinigen, Dichtungen austauschen, RV austauschen, kondensierte Flüssigkeit ablassen

Kompressorlaufzeit zu lang	Luftaustritt innerhalb des pneumatischen Systems. Abgenutzte Kolbenringe Verunreinigter Ansaugfilter Fehlfunktion des elektrisch gesteuerten	Kontrolle der pneum. Verteilung – undichte Verbindungen abdichten, abgenutzte Kolbenringe wechseln, Verunreinigte Filter ersetzen
Kompressor ist laut (Klopfen, Metallgeräusche)	Beschädigtes Lager des Kolbens, der Kurbelstange, oder des Motors Defekte Aufhängung des Aggregates	Beschädigte Teile ersetzen Aufhängung erneuern

19. INFORMATIONEN ZU REPARATURBETRIEBEN

Garantieleistungen und Reparaturen nach Ablauf der Garantie werden durch den Hersteller, durch vom Hersteller benannte Firmen oder durch vom Hersteller autorisiertes Servicepersonal vorgenommen.

Der Hersteller behält sich das Recht vor, ohne Vorankündigung Änderungen am Gerät vorzunehmen. Änderungen beeinträchtigen nicht die Funktionen des Geräts.

20. LAGERUNG

Sollte der Kompressor eine längere Zeit nicht betrieben, wird es angeraten das Kondensat aus dem Druckbehälter auszulassen, und den Kompressor für etwa 10 Minuten mit geöffnetem Kondensat-ablassventil (8) in Betrieb zu setzen (Abb.1). Anschließend den Kompressor mit dem Schalter (Abb. 4) ausschalten, das Ablassventil schließen und die Einrichtung vom Stromnetz trennen.

21. ENTSORGUNG DES GERÄTES

- Trennen Sie das Gerät von der Stromversorgung.
- Lassen Sie die Druckluft aus dem Druckluftbehälter durch Öffnen des Ablassventils (8) (Abb. 1)
- Entsorgen Sie das Gerät gemäß den geltenden Umweltvorschriften.
- Beauftragen Sie ein Fachunternehmen mit der Abfalltrennung und -entsorgung.
- Verschlossene Bauteile haben keine negativen Auswirkungen auf die Umwelt.

ОГЛАВЛЕНИЕ

ВАЖНЫЕ СВЕДЕНИЯ	55
1. СООТВЕТСТВИЕ ТРЕБОВАНИЯМ ДИРЕКТИВ ЕВРОПЕЙСКОГО СОЮЗА	55
2. НАЗНАЧЕНИЕ	55
3. ПРОТИВОПОКАЗАНИЯ И ПОБОЧНЫЕ ЭФФЕКТЫ	55
4. ПРЕДУПРЕЖДЕНИЯ И СИМВОЛЫ.....	55
5. ПРЕДУПРЕЖДЕНИЯ.....	56
6. ХРАНЕНИЕ И ТРАНСПОРТИРОВКА	58
7. ТЕХНИЧЕСКИЕ ДАННЫЕ	59
8. ОПИСАНИЕ ИЗДЕЛИЯ	63
9. ОПИСАНИЕ РАБОТЫ	63
10. СХЕМА ВОЗДУШНОЙ СИСТЕМЫ.....	65
УСТАНОВКА.....	66
11. УСЛОВИЯ ЭКСПЛУАТАЦИИ	66
12. РАЗМЕЩЕНИЕ КОМПРЕССОРА.....	67
13. ПНЕВМАТИЧЕСКИЕ СОЕДИНЕНИЯ	69
14. ЭЛЕКТРИЧЕСКИЙ ПРИСОЕДИНИТЕЛЬНЫЙ ЭЛЕМЕНТ	69
15. СХЕМА ЭЛЕКТРИЧЕСКИХ СОЕДИНЕНИЙ	70
ЭКСПЛУАТАЦИЯ.....	71
16. ВВОД В ЭКСПЛУАТАЦИЮ	71
17. ВКЛЮЧЕНИЕ КОМПРЕССОРА	72
ТЕХНИЧЕСКОЕ ОБСЛУЖИВАНИЕ.....	73
18. ТЕХНИЧЕСКОЕ ОБСЛУЖИВАНИЕ УСТРОЙСТВА	73
УСТРАНЕНИЕ НЕИСПРАВНОСТЕЙ	77
19. РЕМОНТНОЕ ОБСЛУЖИВАНИЕ.....	78
20. УСЛОВИЯ ХРАНЕНИЯ	78
21. УТИЛИЗАЦИЯ УСТРОЙСТВА	78
ПРИЛОЖЕНИЕ	103
22. ОТЧЕТ ОБ УСТАНОВКЕ	105

ВАЖНЫЕ СВЕДЕНИЯ

УВАЖАЕМЫЙ ПОЛЬЗОВАТЕЛЬ.

ПОЖАЛУЙСТА, ВНИМАТЕЛЬНО ПРОЧТИТЕ ДАННОЕ РУКОВОДСТВО ПО ЭКСПЛУАТАЦИИ ДЛЯ ТОГО, ЧТОБЫ ОБЕСПЕЧИТЬ ОПТИМАЛЬНОЕ И ПРАВИЛЬНОЕ ФУНКЦИОНИРОВАНИЕ ВАШЕГО МЕДИЦИНСКОГО ОБОРУДОВАНИЯ.

Изделие зарегистрировано и соответствует требованиям Федеральной Службы по надзору в сфере здравоохранения и социального развития Российской Федерации.

Изделие соответствует системе сертификации ГОСТ Р Госстандарта России.

1. СООТВЕТСТВИЕ ТРЕБОВАНИЯМ ДИРЕКТИВ ЕВРОПЕЙСКОГО СОЮЗА

Данное изделие соответствует требованиям Регламенту о медицинских изделиях (2017/745/EU) (MDR). Его можно безопасно использовать по назначению при условии соблюдения всех требований техники безопасности.

2. НАЗНАЧЕНИЕ

Медицинский компрессор используется в качестве источника чистого, безмасляного, сжатого воздуха для питания активных медицинских устройств (например, в стоматологии, диагностике и лабораториях и т.д.), где параметры и свойства сжатого воздуха подходят определенному целевому назначению.



Подаваемый компрессором сжатый воздух, не прошедший дополнительную фильтрацию, не подходит для использования в аппаратах искусственной вентиляции легких.

Применение данного изделия для других целей, не соответствующих назначению устройства, считается ненадлежащим использованием. Производитель не несет ответственности за повреждения и травмы, вызванные ненадлежащим использованием устройства.

3. ПРОТИВОПОКАЗАНИЯ И ПОБОЧНЫЕ ЭФФЕКТЫ

Противопоказания или побочные эффекты неизвестны.

4. ПРЕДУПРЕЖДЕНИЯ И СИМВОЛЫ

В руководстве пользователя, а также на устройстве и упаковке к нему для обозначения важных сведений используются перечисленные ниже символы:



Общие предупреждения



Предупреждение



Опасно, угроза поражения электрическим током



См. руководство пользователя.



Следуйте указаниям, содержащимся в руководстве пользователя



Маркировка CE



Медицинское изделие



Серийный номер



Компрессор управляется автоматически; он может запускаться без предупреждения



Внимание! Горячая поверхность



Заземление



Клемма для эквипотенциального прямого соединения



Предохранитель



Выпуск жидкости



Маркировка на упаковке — ХРУПКИЙ ПРЕДМЕТ



Маркировка на упаковке — ЭТОЙ СТОРОНОЙ ВВЕРХ



Маркировка на упаковке — БЕРЕЧЬ ОТ ВЛАГИ



Маркировка на упаковке — ТЕМПЕРАТУРНЫЕ ОГРАНИЧЕНИЯ



Маркировка на упаковке — ШТАБЕЛИРОВАНИЕ ОГРАНИЧЕНО



Маркировка на упаковке — ПРИГОДНО ДЛЯ ВТОРИЧНОЙ ПЕРЕРАБОТКИ



Производитель

5. ПРЕДУПРЕЖДЕНИЯ

Данное изделие спроектировано и изготовлено таким образом, чтобы не представлять опасности для пользователя и окружающей среды при условии надлежащей эксплуатации. Имейте в виду перечисленные ниже предупреждения.

5.1. Общие предупреждения

ПРЕЖДЕ ЧЕМ ИСПОЛЬЗОВАТЬ ИЗДЕЛИЕ, ВНИМАТЕЛЬНО ПРОЧИТАЙТЕ РУКОВОДСТВО ПОЛЬЗОВАТЕЛЯ. СОХРАНИТЕ РУКОВОДСТВО ДЛЯ ИСПОЛЬЗОВАНИЯ В БУДУЩЕМ.

- В данном руководстве пользователя рассказывается, как правильно установить и эксплуатировать изделие, а также выполнять его техническое обслуживание.

Внимательно изучите данное руководство, чтобы правильно эксплуатировать изделие в соответствии с его назначением.

- Сохраните заводскую упаковку на случай возврата устройства. Только заводская упаковка гарантирует защиту устройства во время его транспортировки. При возврате изделия в течение гарантийного срока производитель не несет ответственности за повреждения, вызванные ненадлежащей упаковкой.
- Гарантия не распространяется на изделия, поврежденные в результате применения дополнительных принадлежностей, которые не указаны или не рекомендованы производителем.
- Производитель гарантирует безопасность, надежность и функционирование устройства только при соблюдении описанных ниже условий.
 - Установку, перенастройку, внесение изменений, расширение возможностей и ремонтные работы должен выполнять производитель либо уполномоченная им организация.
 - Изделие следует использовать в соответствии с данным руководством пользователя.
- Данное руководство пользователя соответствует конфигурации изделия и на момент печати отвечает требованиям всех стандартов безопасности и техническим условиям. Производитель оставляет за собой все права на патентную защиту своих методов, названий и конфигурации.
- Перевод руководства пользователя следует выполнять с учетом всей доступной информации. В случае сомнений требуется использовать версию на словацком языке.
- Данное руководство пользователя — исходное. Перевод руководства следует выполнять с учетом всей доступной информации.

5.2. Общие предостережения по безопасности

Производитель разработал и изготовил изделие таким образом, чтобы максимально сократить все риски при условии правильной эксплуатации. Производитель считает своей обязанностью изложить указанные ниже общие требования техники безопасности.

- При эксплуатации изделия следует соблюдать все законы и нормативные акты, действующие в месте использования оборудования. Оператор и пользователь несут ответственность за соблюдение всех соответствующих нормативных актов для безопасной эксплуатации.
- Только использование деталей и узлов, изготовленных производителем, гарантирует безопасность обслуживающего персонала и бесперебойную работу самого изделия. Разрешается применять только те дополнительные принадлежности и детали, которые указаны в технической документации или утверждены производителем.
- Перед каждым использованием устройства оператору необходимо убедиться, что оно работает надлежащим образом и безопасно для эксплуатации.
- Пользователь должен понимать принцип работы устройства.
- Не используйте изделие во взрывоопасных средах.
- В случае возникновения проблем, непосредственно связанных с эксплуатацией устройства, пользователь обязан немедленно уведомить поставщика.
- О любом серьезном инциденте, произошедшем в связи с использованием устройства, необходимо сообщить изготовителю и в компетентный орган государства-члена ЕС, в котором зарегистрирован пользователь и/или пациент.

5.3. Меры техники безопасности для защиты от поражения электрическим током

- Устройство следует подключать только к правильно установленной и заземленной розетке.
- Перед подключением изделия к электросети необходимо убедиться, что напряжение и частота электросети соответствуют характеристикам, указанным на устройстве.
- Прежде чем ввести устройство в эксплуатацию, проверьте, не повреждены ли подключенные к устройству пневматические линии и провода. Если повреждены какие-либо пневматические линии и электрические провода, немедленно замените их.
- При возникновении опасной ситуации или технической неисправности немедленно отключите изделие от электросети (вытащите сетевой шнур из розетки).
- При ремонте и техническом обслуживании соблюдайте указанные ниже требования.
 - Извлеките вилку сетевого шнура из розетки.
 - Сравните давление из ресивера и трубопровода.
- Установку изделия должен выполнить только квалифицированный специалист.

6. ХРАНЕНИЕ И ТРАНСПОРТИРОВКА

Компрессор поставляется с фабрики в транспортной упаковке. Она защищает устройство от повреждений во время транспортировки.



При транспортировке компрессора по возможности следует использовать его заводскую упаковку. Транспортируйте компрессор в вертикальном положении. Во время транспортировки всегда закрепляйте его соответствующими средствами.



При транспортировке и хранении не подвергайте компрессор воздействию влаги, грязи и экстремальных температур. Храните компрессор в заводской упаковке в теплом, сухом и незапыленном помещении. Не храните компрессор вблизи химических веществ.



По возможности сохраните упаковочный материал. Если нет такой возможности, утилизируйте его экологически безопасным способом. Упаковочный картон можно перерабатывать вместе со старой бумагой.



Прежде чем транспортировать компрессор, полностью стравите давление в нем. Прежде чем перемещать или транспортировать компрессор, стравите давление в ресивере и шлангах, а также слейте водяной конденсат из ресивера.



Запрещается хранить и транспортировать оборудование в условиях, отличных от приведенных ниже.

Условия окружающей среды при хранении и транспортировке

Изделия можно хранить и перевозить только в транспортных средствах, не содержащих остатков летучих химических веществ при указанных ниже условиях.

Температура: от -25 °C до $+55\text{ °C}$ (24 ч при температуре до $+70\text{ °C}$)

Относительная влажность: 10–90 % (при отсутствии конденсата)

7. ТЕХНИЧЕСКИЕ ДАННЫЕ

Компрессоры спроектированы для эксплуатации в сухих и вентилируемых помещениях при указанных ниже условиях.

Температура: от +5 до +40 °C
 Макс. относительная влажность: 70 %
 Макс. абсолютная влажность: 15 г/м³

ТУР	DK50
MODEL	standard
Поток на выходе	50 Л.мин ⁻¹
Номинальное напряжение / частота / Номинальный ток	230/50 / 2.8
Фильтрация воздуха до	μm
Выход напорного воздуха	шланговая муфта ø6
Уровень звука	dB(A)
Режим эксплуатации	непрерывный - S1
Слив сконденсированной воды	мануальный
Объем ресивера	4,7 Лит
Рабочее давление	4,5 бар – 6 бар
Рабочее давление предохранительного клапана	7 бар
Установка давления воздуха на выходе	-
Размеры компрессора	ш x гл x в
Размеры компрессора с колесами	ш x гл x в
Вес нетто	30 кг
Вес нетто компрессора с колесами	31 кг
Вариант согласно STN EN 60601-1	устройство типа B, класса I.

7.1. Поправки потребляемого объема сжатого воздуха за единицу времени (ПОСВ) вследствие подъема

Таблица поправок ПОСВ

Подъем [м над уровнем моря]	0–1500	1501–2500	2501–3500	3501–4500
ПОСВ [л/мин]	ПОСВ x 1	ПОСВ x 0,8	FAD x 0,71	FAD x 0,60

Значение ПОСВ (потребляемого объема сжатого воздуха) на выходе зависит от указанных ниже условий.

Подъем: 0 метров над уровнем моря

Температура: 20 °C

Атмосферное давление: 101 325 Па

Относительная влажность: 0 %

7.2. Требования к электромагнитной совместимости

Медицинское устройство нуждается в специальных мерах предосторожности в отношении электромагнитной совместимости (ЭМС) и должно быть установлено и введено в эксплуатацию в соответствии с информацией ЭМС, приведенной ниже.


Руководство и заявление производителя: электромагнитное излучение		
Для IEC 60601-1-2:2014 - Изделия медицинские электрические. Часть 1-2. Общие требования безопасности с учетом основных функциональных характеристик. Параллельный стандарт. Электромагнитные помехи. Требования и испытания.		
Устройство предназначено к использованию в электромагнитной обстановке, как указано ниже. Покупатель или пользователь устройства должен обеспечить эксплуатацию устройства в таких условиях.		
Испытание электромагнитного излучения	Соответствие	Электромагнитная обстановка: руководство
Радиочастотное излучение CISPR 11	Группа 1	Устройство использует высокочастотную энергию только для функционирования внутренних компонентов. Таким образом, радиочастотное излучение очень низкое и не должно вызывать помехи в работе расположенного поблизости электронного оборудования.
Радиочастотное излучение CISPR 11	Класс В	Устройство подходит для использования во всех учреждениях, включая домашние хозяйства и учреждения, подключенные непосредственно к общественной низковольтной системе электроснабжения, питающей жилые здания.
Гармоническая эмиссия IEC 61000-3-2	Класс А	
Колебания напряжения / фликер IEC 61000-3-3	Устройство не должно вызывать фликер, так как ток после запуска практически постоянен.	

Руководство и заявление производителя: электромагнитная устойчивость			
Для IEC 60601-1-2:2014 - Изделия медицинские электрические. Часть 1-2. Общие требования безопасности с учетом основных функциональных характеристик. Параллельный стандарт. Электромагнитные помехи. Требования и испытания.			
Устройство предназначено к использованию в электромагнитной обстановке, как указано ниже. Покупатель или пользователь устройства должен обеспечить эксплуатацию устройства в таких условиях.			
Испытание устойчивости	Степень жесткости испытания согласно IEC 60601-1-2	Уровень соответствия	Электромагнитная обстановка: руководство
Электростатический разряд IEC 61000-4-2	± 8 кВ контактный ± 15 кВ воздушный	± 8 кВ контактный ± 15 кВ воздушный	Полы должны быть из дерева, бетона или керамической плитки. Если полы покрыты синтетическим материалом, относительная влажность должна быть минимум 30 %.
Электрические наносекундные импульсные помехи IEC 61000-4-4	± 2 кВ для портов электропитания ± 1 кВ портов ввода/вывода	± 2 кВ 100 кГц частота повторения Применимо при подключении к основному источнику питания	Качество основного источника электропитания должно соответствовать нормам для коммерческих или лечебных учреждений.
Микросекундные импульсные помехи большой энергии IEC 61000-4-5	± 1 кВ в дифференциальном режиме, ± 2 кВ в обычном режиме	± 1 кВ фаза-нейтраль ± 2 кВ фаза-защитное заземление; нейтраль-защитное заземление Применимо при подключении к основному источнику питания	Качество основного источника электропитания должно соответствовать нормам для коммерческих или лечебных учреждений.
Падение напряжения, кратковременное прерывание энергоснабжения и изменение напряжения на линиях электроснабжения IEC 60601-4-11	$U_T=0\%$, 0,5 цикла (b 0, 45, 90, 135, 180, 225, 270 и 315°) $U_T=0\%$, 1 цикл $U_T=70\%$ 25/30 циклов (для 0°) $U_T=0\%$, 250/300 циклов	$U_T \geq 95\%$, 0,5 цикла (b 0, 45, 90, 135, 180, 225, 270 и 315°) $U_T \geq 95\%$, 1 цикл $U_T=70\%$ (30% падение U_T), 25(50Hz)/30(60Hz) циклов (для 0°) $U_T \geq 95\%$, 250(50Hz)/300(60Hz) циклов	Качество основного источника электропитания должно соответствовать нормам для коммерческих или лечебных учреждений. Устройство отключается и повторно запускается при каждом падении напряжения. В этом случае удается избежать недопустимого падения давления.
Частота сети (50 / 60 Гц) IEC 61000-4-8	30 А/м	30 А/м	Магнитные поля промышленной частоты должны быть на уровне, характерном для типичного местоположения в типичном коммерческом или лечебном учреждении
ПРИМЕЧАНИЕ. U_T — напряжение главного источника питания переменного тока до применения степени жесткости испытаний.			

Руководство и заявление производителя: электромагнитная устойчивость

Для IEC 60601-1-2:2014 - Изделия медицинские электрические. Часть 1-2. Общие требования безопасности с учетом основных функциональных характеристик. Параллельный стандарт. Электромагнитные помехи. Требования и испытания.

Устройство предназначено к использованию в электромагнитной обстановке, как указано ниже. Покупатель или пользователь устройства должен обеспечить эксплуатацию устройства в таких условиях.

Испытание устойчивости	Степень жесткости испытания согласно IEC 60601-1-2	Уровень соответствия	Электромагнитная обстановка: руководство
Наведенные РЧ-поля IEC 61000-4-6	3 В среднеквадратическое напряжение от 150 кГц до 80 МГц	3 В среднеквадратическое напряжение	<p>Портативное и мобильное радиооборудование не рекомендуется использовать возле любой части устройства, включая кабели, ближе рекомендованного расстояния, рассчитанного в уравнении на основе частоты передатчика. Рекомендуемое расстояние $d = 1,2\sqrt{P}$</p> <p>$d = 1,2\sqrt{P}$, от 80 МГц до 800 МГц</p>
Радиочастотное электромагнитное поле IEC 61000-4-3	3 В/м от 80 МГц до 2,7 ГГц	3 В/м	<p>$d = 2,3\sqrt{P}$, от 800 МГц до 2,7 ГГц</p> <p>Здесь P — максимальная номинальная мощность передатчика на выходе в ваттах (Вт) согласно данным производителя, a d — рекомендованное расстояние в метрах (м).</p>
Поля близости от радиочастотных беспроводных коммуникационных Устройств IEC 61000-4-3	9 до 28 В/м 15 специфических частот (380 до 5800 MHz)	9 до 28 В/м 15 специфических частот (380 до 5800 MHz)	<p>Напряженность поля, создаваемая постоянными РЧ-передатчиками и определяемая в результате практического измерения электромагнитного поля^a, должна быть меньше, чем значения для уровня соответствия в каждом диапазоне частот.^b Помехи могут возникать поблизости от оборудования, отмеченного таким знаком:</p> 

ПРИМЕЧАНИЕ 1. В диапазоне частот от 80 МГц до 800 МГц применяется большее значение.

ПРИМЕЧАНИЕ 2. Данные руководства применимы не во всех ситуациях. Поглощение и отражение электромагнитных волн зданиями, объектами и людьми влияют на их распространение.

^a Напряженность поля от постоянных передатчиков, например базовых станций радиотелефонов (мобильных или беспроводных) и сухопутных систем подвижной радиосвязи, радиоловительской связи, AM- и FM-радиостанций и телевизионных вышек, нельзя точно рассчитать в теории. Чтобы оценить электромагнитную обстановку вблизи от постоянных РЧ-передатчиков, необходимо провести практические измерения электромагнитного поля. Если измеренная напряженность поля в месте, где используется устройство превышает применимый уровень соответствия устойчивости к РЧ-помехам, указанный выше, необходимо внимательно следить за функционированием устройства, чтобы обеспечить нормальную работу. Если наблюдаются неполадки в работе устройства, могут понадобиться дополнительные меры, например перестановка или перемещение устройства.

^b За пределами диапазона частот от 150 кГц до 80 кГц напряженность поля должна быть менее 3 В/м.

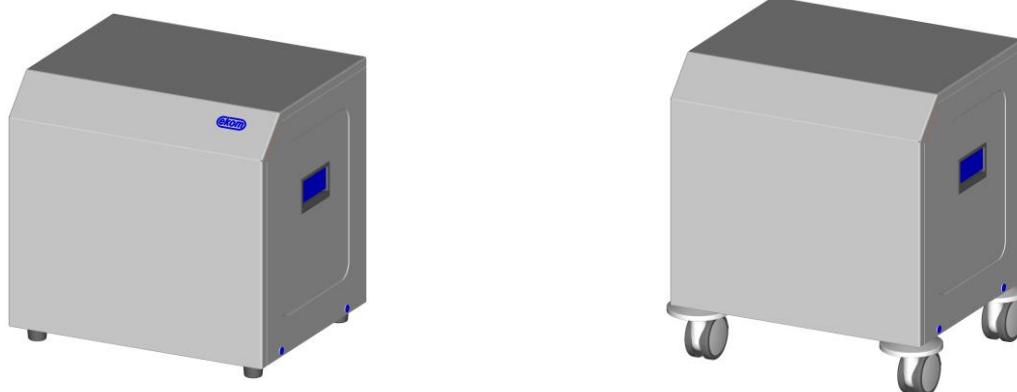
8. ОПИСАНИЕ ИЗДЕЛИЯ

8.1. Варианты исполнения

Модели компрессоров имеют указанные ниже варианты исполнения:

Дентальный компрессор DK50

безмасляный компрессор, установленный на основании и прикрытый компактным шкафчиком с активным поглощением шума.



По запросу клиента компрессор поставляется с резиновыми стойками или роликами (2 спереди, с тормозами (22), и 2 (23) сзади, без тормозов).



Сжатый воздух дентального компрессора не подходит для эксплуатации дыхательных устройств или подобного оборудования без дополнительного фильтрационного оборудования.



Компрессор не укомплектован резервным источником питания.

9. ОПИСАНИЕ РАБОТЫ

(Рис.1)

Агрегат Компрессора (1) всасывает атмосферный воздух через входной фильтр и сжимает его через обратный клапан (3) в ресивер (2). Электроприбор потребляет сжатый воздух из ресивера, тем самым, понижается давление до давления включения, установленного на реле давления (4), при котором включится компрессор. Компрессор опять сжимает воздух в ресивер вплоть до значения давления выключения, когда выключится компрессор. Предохранительный клапан (5) предотвращает повышение давления в ресивере сверх максимального допустимого значения. Через выпускной клапан (7) выпускается конденсат из ресивера.

Шкафчик обеспечивает компактное прикрытие компрессора, чем действительно поглощается шум и в то же время обеспечивается достаточная замена охлаждающего воздуха. Вентилятор (6) обеспечивает охлаждение компрессора. После длительной работы компрессора может повыситься температура в шкафчике свыше 40°C, тогда вентилятор работает и после выключения компрессора вплоть до охлаждения объема в шкафчике ниже порядка 32°C. Вентилятор работает одновременно с двигателем компрессора. Зажим (14) позволяет укрепить подводящий шнур и предотвратить его возможное падение от разъёма.



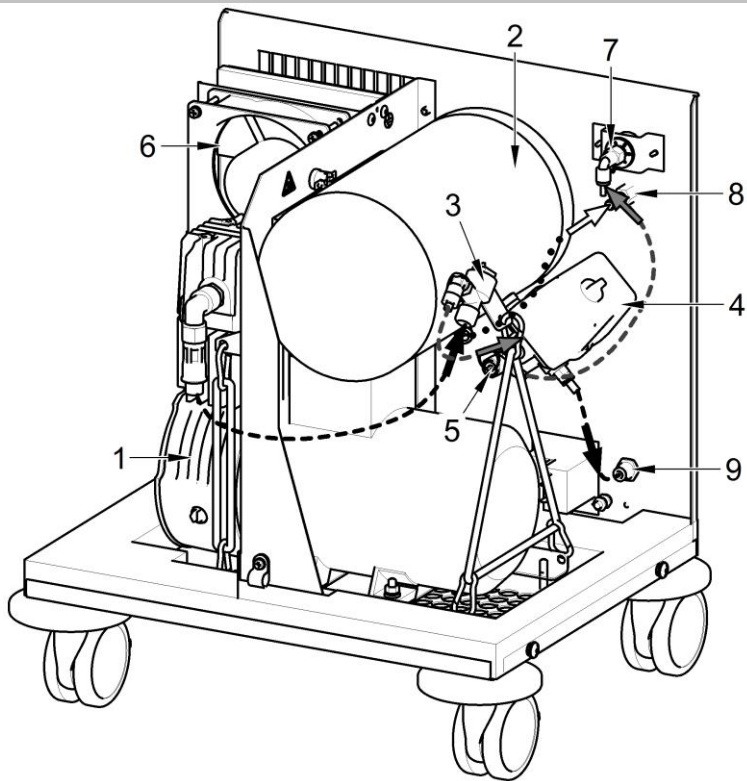
Убедитесь, что нет препятствий для свободной циркуляции воздуха вокруг компрессора и под ним. Запрещается перекрывать выход горячего воздуха в верхней задней части корпуса.



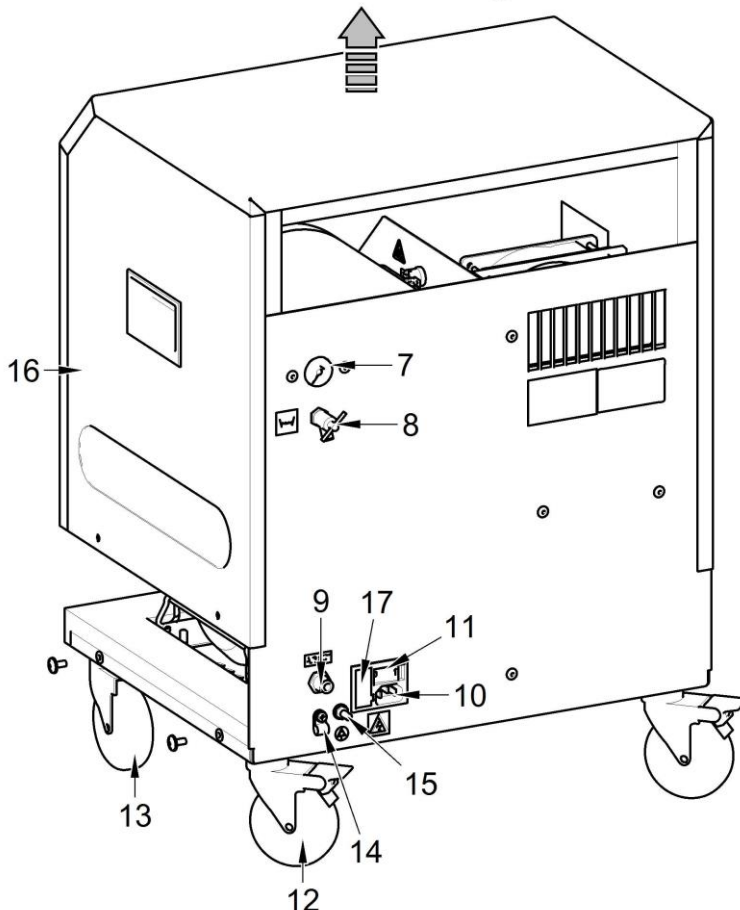
При размещении компрессора на мягком полу, например на ковре, необходимо оставить зазор для вентиляции между основанием компрессора и полом. Для этого можно использовать опоры с твердыми прокладками .

Рис. 1: Компрессор

Описание для рисунков:

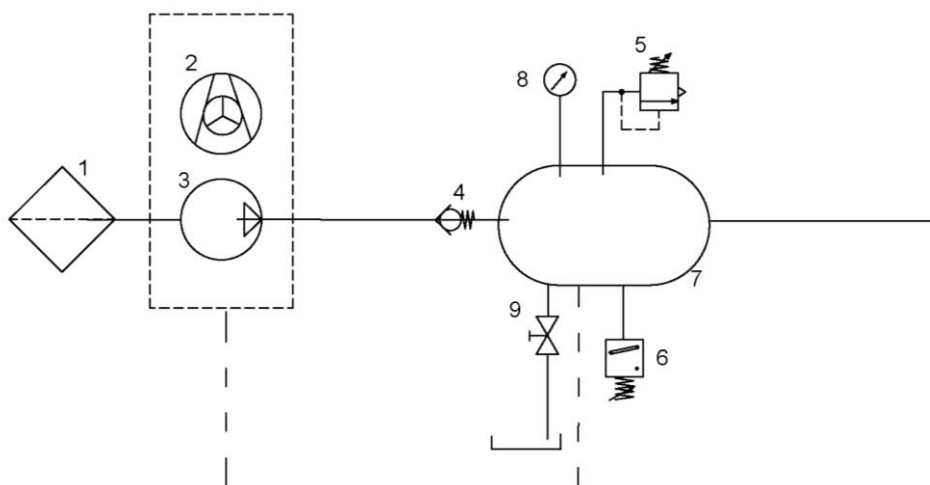


- 1 Агрегат Компрессора
- 2 Ресивер
- 3 Обратный клапан
- 4 Реле давления
- 5 Предохранительный клапан
- 6 Вентилятор
- 7 Манометр
- 8 Выпускной клапан конденсата
- 9 Выход напорного воздуха
- 10 Штепсельный разъём
- 11 Выключатель
- 12 Колечко вращательное
- 13 Колесо
- 14 Зажим подводящего шнура
- 15 Клемма для эквипотенциального соединения
- 16 Крышка компрессора
- 17 предохранительная коробка с предохранителями



10. СХЕМА ВОЗДУШНОЙ СИСТЕМЫ

DK50



Условные обозначения на схеме циркуляции сжатого воздуха

- 1 Входной фильтр
- 2 Вентилятор компрессора
- 3 Компрессор
- 4 Обратный клапан
- 5 Предохранительный клапан
- 6 Реле давления
- 7 Ресивер
- 8 Датчик давления в ресивере
- 9 Клапан слива

УСТАНОВКА

11. УСЛОВИЯ ЭКСПЛУАТАЦИИ

- Компрессоры можно устанавливать и эксплуатировать только в сухих, хорошо вентилируемых и чистых помещениях, условия окружающей среды в которых соответствуют требованиям, указанным в разделе 7 «Технические характеристики». Компрессор нужно устанавливать так, чтобы он был легко доступным для эксплуатации и технического обслуживания. Убедитесь, что табличка на устройстве находится на виду.
- Компрессор следует располагать на плоской и устойчивой поверхности с учетом его массы (см. раздел 7 «Технические характеристики»).
- Компрессоры нельзя эксплуатировать на открытом воздухе или во влажных либо сырых средах. Запрещается применять оборудование в помещениях с наличием взрывоопасных газов, пыли или воспламеняющихся жидкостей.
- Перед подключением компрессора к медицинскому оборудованию поставщик должен проверить его соответствие всем требованиям. Для этого см. технические характеристики этого изделия. В случае встроенной установки классификацию и оценку соответствия должен осуществить производитель или поставщик изделия.
- Использование при каких-либо других условиях либо при условиях, которые выходят за данные рамки, считается ненадлежащим. Производитель не несет ответственность за ущерб, вызванный таким использованием. Все риски принимает на себя оператор или пользователь.



Установку компрессора и ввод его в эксплуатацию должен выполнять только квалифицированный специалист. Этот специалист должен обучить представителей обслуживающего персонала эксплуатации и техническому обслуживанию устройства. Установка оборудования и подготовка всех операторов должна быть подтверждена подписью установщика на свидетельстве об установке.



Перед установкой необходимо устранить все элементы упаковки и стабилизаторы, служащие для фиксации оборудования во время транспортировки, во избежание опасности повреждения изделия



Во время работы компрессора некоторые части агрегата могут нагреваться до высоких температур и представлять опасность для операторов или материалов. Опасность ожогов или возгорания. Внимание! Горячая поверхность!



Электрический шнур для подсоединения к электрической сети и воздушные шланги не должны быть изогнуты. Приводной шнур нельзя растягивать, нельзя, чтобы он находился под давлением или воздействием чрезмерного тепла.



После первого ввода изделия в эксплуатацию какое-то время может быть замечен «запах новой техники». Этот запах вскоре исчезнет, и он никак не влияет на нормальную эксплуатацию изделия. После установки убедитесь, что место установки проветривается должным образом.

Условия окружающей среды при эксплуатации

Температура:	от +5 °C до +40 °C
Макс. относительная влажность:	70 %
Макс. абсолютная влажность:	15 г/м ³ .

12. РАЗМЕЩЕНИЕ КОМПРЕССОРА



Установку устройства должен выполнять только квалифицированный специалист.



Крепежные винты сохраните на тот случай, если будет необходимо перевозить компрессор.

- Извлеките компрессор из упаковки.

12.1. Отфиксирование компрессора

Отвинтите четыре винта М6 с нижней части устройства, промаркированные красной предупреждающей шайбой.

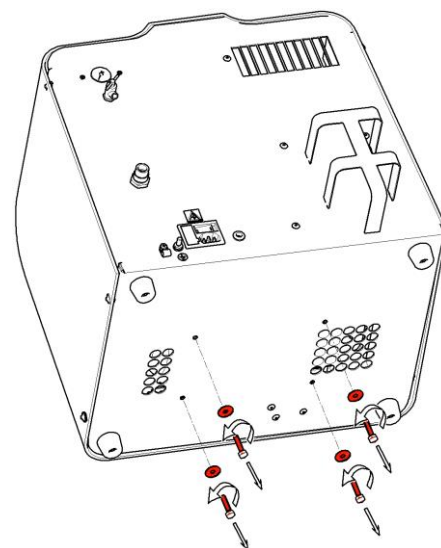


Рис.2

Закрепление роликов

Компрессор с роликами перед запуском необходимо зафиксировать, чтобы предотвратить его перемещение.

Заблокируйте ролики!

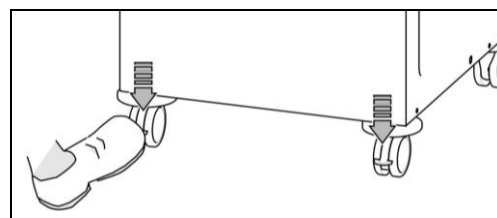


Рис. 3

Установка стоек

На модели компрессора со стойками необходимо установить стойки согласно рисунку.

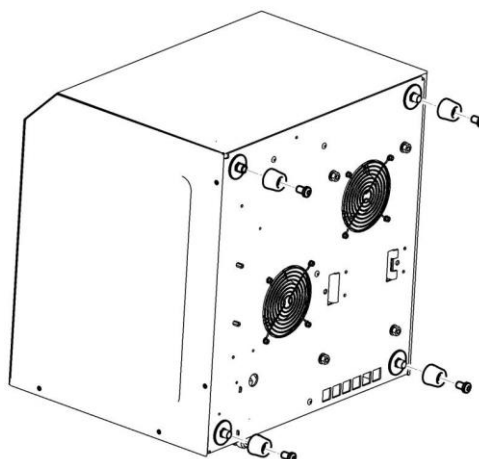
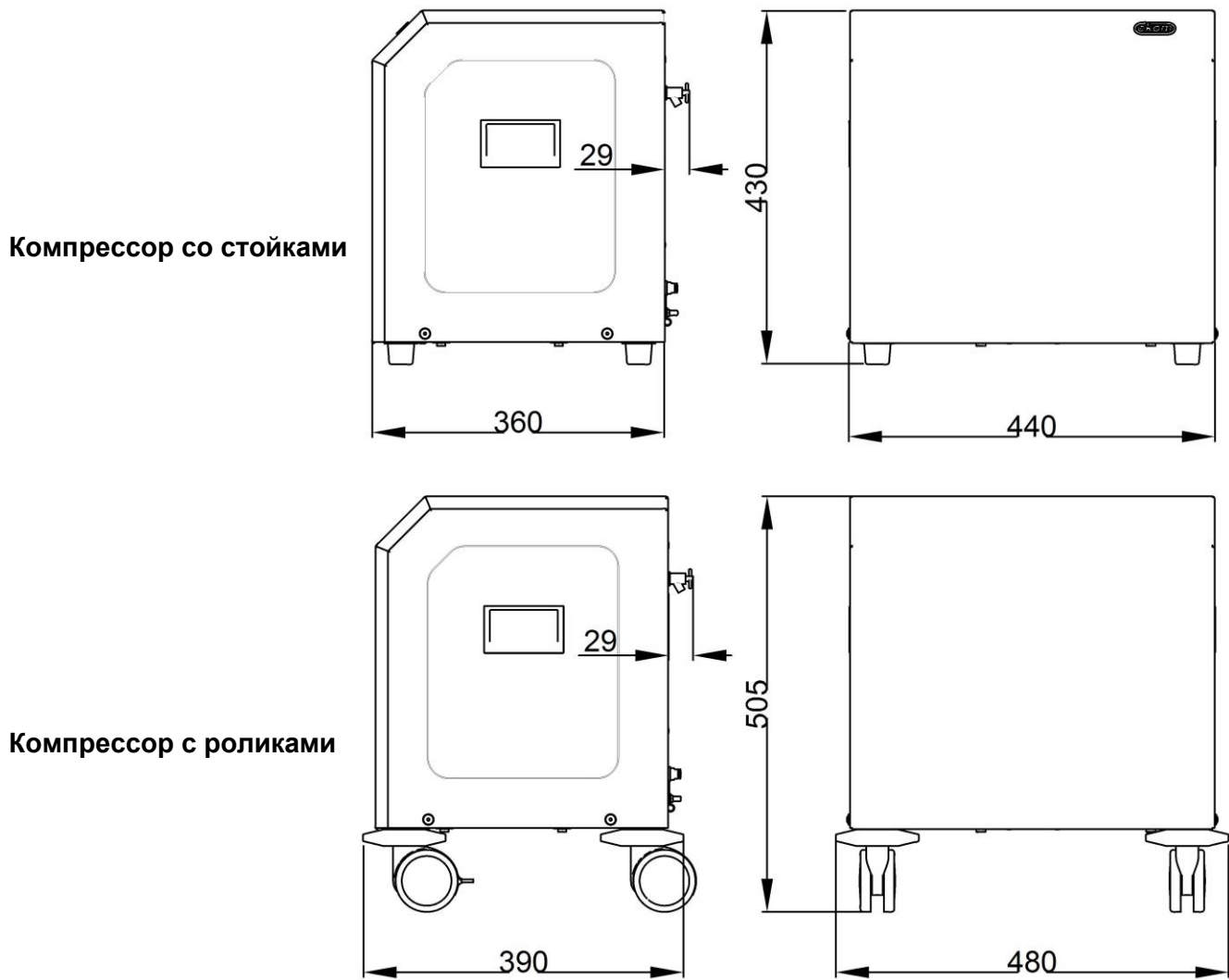


Рис. 4

12.2. Схема установки



13. ПНЕВМАТИЧЕСКИЕ СОЕДИНЕНИЯ

13.1. Подключение к выпускному воздуховоду сжатого воздуха

Дентальный компрессор, оборудованный отверстием для выпуска сжатого воздуха, OUT (9), на задней панели.

К муфте (9) – выходу напорного воздуха – подсоедините напорный шланг для подсоединения к соответствующему стоматологическому оборудованию.

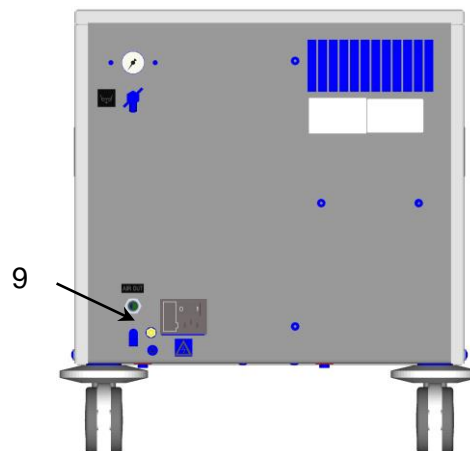


Рис.5

14. ЭЛЕКТРИЧЕСКИЙ ПРИСОЕДИНИТЕЛЬНЫЙ ЭЛЕМЕНТ



Засунуть вилку сетевого шнура в сетевую розетку. Устройство поставляется с вилкой с защитным контактом. Необходимо соблюдать местные электротехнические инструкции. Напряжение сети и частота должны соответствовать данным на щитке прибора.

(Рис.1)

- Розетка должна быть с точки зрения безопасности хорошо доступна, чтобы устройство в случае опасности можно было безопасно отсоединить от сети.
- Соответствующий контур тока должен быть в распределительной сети электроэнергии защищен.
- Клемму для эквипотенциального прямого соединения (15) присоедините к остальным устройствам способом и с помощью провода согласно местным электротехническим инструкциям.
- Шнур питания закрепите от извлечения через зажим (14).
- Устройство защищено предохранителями, расположенными в предохранительной коробке (17) под крышкой главного выключателя.



Не допускайте контакта электрического кабеля с нагревающимися компонентами компрессора. Опасность поражения электрическим током!



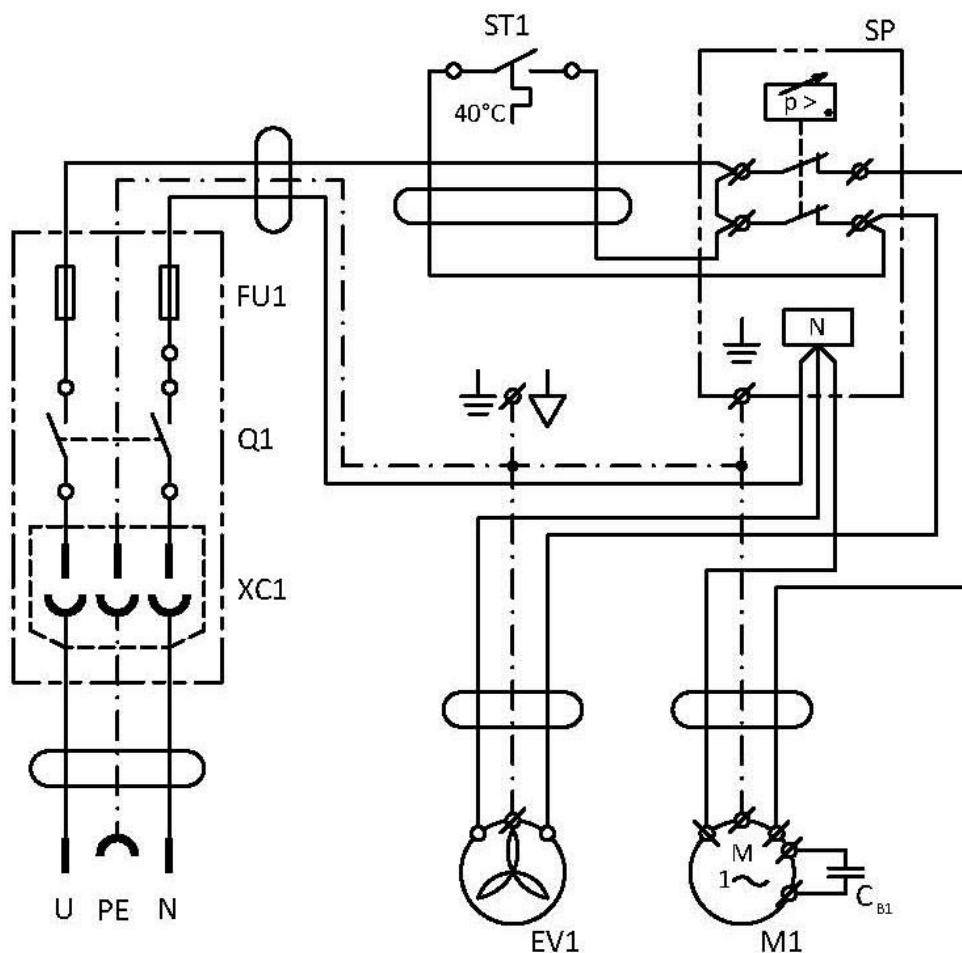
**Электрический шнур не должен касаться горячих частей компрессора. Это может привести к повреждению изоляции!
Электрический шнур для подсоединения к электросети и воздушные шланги не должны быть согнуты**

15. СХЕМА ЭЛЕКТРИЧЕСКИХ СОЕДИНЕНИЙ

DK50

1/N/PE 230 V, 50 Hz

ЭЛЕКТРИЧЕСКИЙ ОБЪЕКТ 1-й КАТЕГОРИИ



Условные обозначения на электрической схеме

M1	Мотор компрессора
E1	Вентилятор компрессора
ST 1	Тепловой выключатель
CB1	Конденсатор
SP	Выключатель давления
FU	Fuses
Q1	Выключатель
XC1	Разъём

ЭКСПЛУАТАЦИЯ



Оборудование может обслуживать только персонал, прошедший инструктаж!



При возникновении экстренной ситуации отключите компрессор от электросети (вытащите сетевую вилку).



Некоторые поверхности агрегата компрессора сильно нагреваются. Прикосновение к таким поверхностям может привести к ожогам или возгоранию.



При длительной работе компрессора температура в шкафу может превысить 40 °С. При этом автоматически включается охлаждающий вентилятор. После охлаждения внутренней части шкафа до температуры ниже 32 °С вентилятор отключается..



Автоматический запуск: когда давление в ресивере понижается до уровня включения, компрессор автоматически включается. Компрессор автоматически выключается, когда давление в ресивере достигает уровня отключения.



Параметры рабочего давления для реле давления, заданные производителем, невозможно изменить. Работа компрессора при рабочем давлении ниже уровня включения свидетельствует о большом потреблении воздуха подключенным устройством (см. раздел «Неисправности»).

16. ВВОД В ЭКСПЛУАТАЦИЮ

(Рис.1).

- Проверить, были ли устранены все фиксирующие элементы, применяемые во время транспортировки.
- Проверить правильное присоединение проводки напорного воздуха.
- Проверить правильное присоединение к электросети.
- Включить выключатель (11) в задней части устройства в положение „I“ .

Компрессор – после первого включения сетевого выключателя компрессор нагнетает ресивер до значения давления выключения, и реле давления автоматически выключит компрессор. Далее компрессор уже работает в автоматическом режиме, в зависимости от расхода напорного воздуха реле давления выключает и включает компрессор.



Компрессор не укомплектован резервным источником питания.

17. ВКЛЮЧЕНИЕ КОМПРЕССОРА

Включить выключатель (1) в положение „I“, компрессор начнет работать и накачивать воздух в ресивер. После достижения давления включения компрессор автоматически выключится. При потреблении напорного воздуха понизится давление в ресивере до давления включения, приведет в действие компрессор, и ресивер заполнится напорным воздухом. Проверьте величину включающего и выключающего давления на манометре. Значения могут находиться в диапазоне $\pm 10\%$. Давление воздуха в ресивере не должно превысить допустимое рабочее давление, это предотвращает предохранительный клапан.

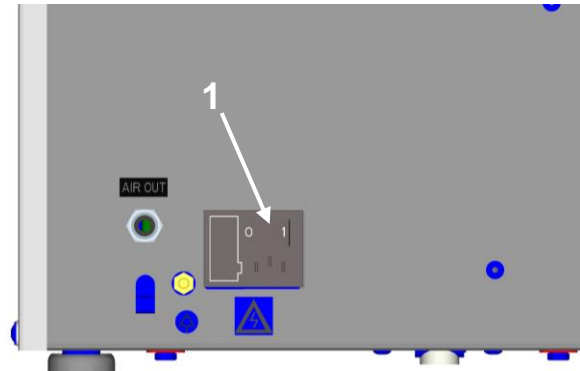


Рис.6



Запрещено изменять диапазон реле давления компрессора. Переключатель давления настроен производителем, его параметры может изменять только квалифицированный технический специалист, прошедший обучение у производителя.

ТЕХНИЧЕСКОЕ ОБСЛУЖИВАНИЕ

18. ТЕХНИЧЕСКОЕ ОБСЛУЖИВАНИЕ УСТРОЙСТВА

Внимание!

Оператор должен проводить испытание устройства не реже одного раза в 24 месяца (по стандарту EN 62353) или с периодичностью, указанной в действующих местных нормативных актах. Результаты испытаний (например, в соответствии с приложением G стандарта EN 62353), а также методы исследования должны быть задокументированы в письменном виде.



Прежде чем приступить к техническому обслуживанию компрессора, убедитесь, что он отключен от соответствующего устройства. Это позволит исключить риск для лиц, использующих это устройство, и избежать материального ущерба!



Во время работы компрессора компоненты агрегата (крышка, цилиндр, напорный шланг и т. д.) сильно нагреваются и остаются горячими некоторое время после его выключения, поэтому не прикасайтесь к ним.



Ремонтные работы, которые выходят за рамки обычного технического обслуживания, должны осуществлять только квалифицированные сотрудники или представители производителя. Используйте только те запасные части и принадлежности, которые утверждены производителем.



ПРИ СТРАВЛИВАНИИ ДАВЛЕНИЯ ИЗ ЛИНИИ СЖАТОГО ВОЗДУХА (РЕСИВЕРА) ИСПОЛЬЗУЙТЕ ЗАЩИТНЫЕ ОЧКИ.

К описанным ниже работам следует допускать только обученных сотрудников:



ПЕРЕД НАЧАЛОМ ЛЮБЫХ РАБОТ ПО ТЕХНИЧЕСКОМУ ОБСЛУЖИВАНИЮ ОТКЛЮЧИТЕ КОМПРЕССОР ОТ ЭЛЕКТРОСЕТИ (ВЫТАЩИТЕ ВИЛКУ СЕТЕВОГО ШНУРА ИЗ РОЗЕТКИ ЭЛЕКТРОСЕТИ) И СТРАВИТЕ ДАВЛЕНИЕ ИЗ РЕСИВЕРА.



Прежде чем приступить к техническому обслуживанию либо подключить или отключить подачу сжатого воздуха, позвольте оборудованию остыть

18.1. Периодичность технического обслуживания

Интервал	Раз в день	Раз в неделю	Раз в год	Раз в 2 года	Раз в 4 года	Раз в 2000 часов	Каждые 4000 часов	Каждые 6000 часов	Каждые 8000 часов	Раздел	Комплект запчастей	Исполнитель
Слив конденсата из резервуара (при высокой относительной влажности)	X									18.2		
Слив конденсата из резервуара (при нормальной относительной влажности)		X								18.2		
Проверка предохранительного клапана			X							18.3		
Контрольный осмотр				X						18.4	025000012-000 025000005-000	
Замена фильтровальных вкладышей) ^a					X					18.5		
Проведение повторных испытаний в соответствии со стандартом EN 62353				X						18.	-	

^{a)} Данные указываются в часах. В противном случае — в годах

ДЛЯ ВЫЯСНЕНИЯ ПРАВИЛЬНОЙ РАБОТЫ КОМПРЕССОРА, НЕОБХОДИМО ПЕРИОДИЧЕСКИ (ГЛ. 16) ОСУЩЕСТВЛЯТЬ СЛЕДУЮЩИЕ РАБОТЫ:

Удаление крышки

- Открутите 4 винтов от задней панели.
- Отсоедините заземляющий провод.
- Удалите переднюю панель.
- Выполните сборку в обратном порядке.

18.2. Слив конденсата



Медленно и аккуратно откройте сливной клапан. Быстрое открытие сопровождается громким звуком и неконтролируемым выбросом скопившегося конденсата.

Из ресивера (Рис.1)

При регулярной эксплуатации рекомендуется слить конденсат из напорного резервуара. Компрессор отсоединить от сети и давление воздуха в оборудовании понизить до величины не более 1 бар, например, выпуская воздух через присоединенное оборудование. Установить чашу в направлении сточного клапана и открывая выпускной клапан (8) слить конденсат. Подождать, пока конденсат полностью не сольется из напорного резервуара. Выпускной клапан (8) опять закрыть.



Отслеживайте уровень в резервуаре, руководствуясь отметками 1 л и 2 л (в зависимости от объема резервуара), и сливайте конденсат не реже одного раза в день. Если не сливать конденсат из резервуара с определенным интервалом, он может переполниться.



При переполнении резервуара возникает опасность поскользнуться на мокром полу.

18.3. Проверка предохранительного клапана

При первом запуске компрессора в эксплуатацию необходимо проверить правильную работу предохранительного клапана. Предохранительный клапан оставить только на короткое время свободно выпустить воздух.



Рис г.7



Никогда не используйте предохранительный клапан для сброса давления в ресивере. Это может повредить предохранительный клапан. Максимально допустимое давление для клапана настроено производителем. Регулировка запрещена!



ВНИМАНИЕ! СЖАТЫЙ ВОЗДУХ ОПАСЕН, ТАК КАК СУЩЕСТВУЕТ РИСК ПОВРЕЖДЕНИЯ ГЛАЗ! РИСК ПОВРЕЖДЕНИЯ ГЛАЗ.

18.4. Контрольный осмотр

Проверка герметичности:

- Остановить отбор сжатого воздуха.
- Накачать ресивер (вынужденный запуск компрессора можно осуществить, например, выпуская часть воздуха через питаемое оборудование).
- Компрессор не должен запуститься сам в течение хотя бы 10 мин.
- Если происходит понижение давления, то с помощью мыльной воды можно найти утечку на соединениях – сначала снаружи шкафчика, потом внутри шкафчика после его демонтажа.
- Обнаруженную утечку устранить, подтягивая соединение или переуплотняя его.

Осмотр оборудования:

- Проверить состояние агрегата компрессора – равномерность хода, уровень шума, проверить мощность компрессора - измерить время нагнетания ресивера с 0 до 6 бар (35 сек.).
- Проверить состояние подвесок компрессорного агрегата.
- Проверка работы вентилятора.
- Проверить состояние собственного агрегата:
 - загрязнения в кривошипной камере
 - зазор на кривошипном валу.
- В случае необходимости неисправные детали заменить.

18.5. Замена фильтровальных вкладышей



Внимание, горячая поверхность! После снятия задней крышки нахопятся в шкафчике горячие поверхности.

- Демонтируйте крышку. Вкладыше находятся на крышке шкафа кривошипа.
- Поверните крышку фильтра и изберите.
- Изберите использованные и загрязненные фильтровальные вкладыши (А) и В).
- Вложите новый комплект фильтровальных вкладышей (В).
- Пре-фильтр вставьте в гибкую крышку (гладкой стороной в шкаф кривошипа) и вставьте в отверстие.



Рис.8

18.6. Очистка и дезинфекция наружных поверхностей изделия

Для очистки и дезинфекции наружных поверхностей изделия используются нейтральные средства.



Применение агрессивных моющих и дезинфицирующих средств, содержащих раствор спирта и хлориды, может привести к повреждению поверхности и изменению цвета изделия .

18.7. Фиксация агрегата перед транспортировкой

Перед транспортировкой необходимо зафиксировать агрегат. Перед фиксацией необходимо снять кожух, отвинтив 4 винта М5 по боковым стенкам изделия. Агрегат компрессора необходимо зафиксировать к основанию четырьмя исходными винтами М6 согласно рисунку и надеть пластмассовую крышку.

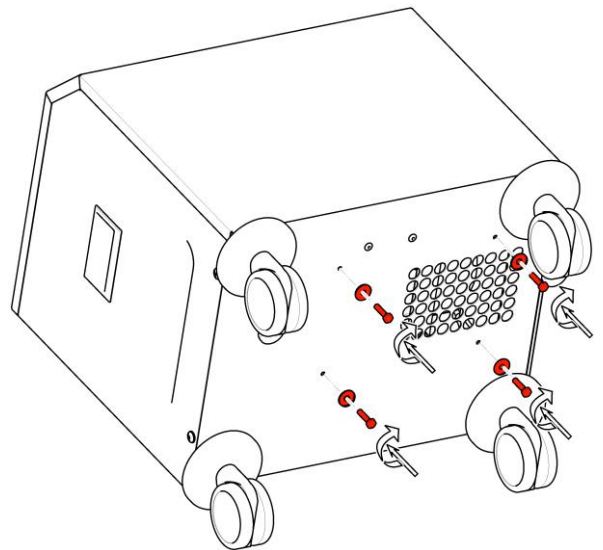


Рис.9

УСТРАНЕНИЕ НЕИСПРАВНОСТЕЙ



Прежде чем выполнять дальнейшие действия, стравите воздух из ресивера до нулевого давления и отсоедините устройство от электросети.

К работам по устранению неисправностей следует допускать только квалифицированных специалистов.

НЕИСПРАВНОСТЬ	ВОЗМОЖНАЯ ПРИЧИНА	СПОСОБ УСТРАНЕНИЯ
Компрессор не разбирается	<p>В реле давления нет напряжения</p> <p>Повреждена обмотка двигателя, повреждена тепловая защита</p> <p>Бракованный конденсатор</p> <p>Заедание поршня или иной ротационной части</p> <p>Переключается реле давления, выключатель переключен в положение „0“</p> <p>Сгоревший предохранитель в предохранительной коробке</p>	<p>Контроль напряжения в розетке</p> <p>Контроль предохранителя – неисправный заменить</p> <p>Ослаблена клемма - подтянуть</p> <p>Контроль эл. шнура – неисправный заменить</p> <p>Двигатель заменить или перемотать обмотку</p> <p>Заменить конденсатор</p> <p>Поврежденные части заменить</p> <p>Проверить работу реле давления</p> <p>Проверьте предохранители — замените неисправные предохранители</p>
Компрессор включается часто	<p>Утечка воздуха из пневматической распределительной сети</p> <p>Негерметичность обратного клапана</p> <p>В напорном резервуаре большое количество сконденсированной жидкости</p>	<p>Контроль пневм. распред. сети – ослабленное соединение уплотнить</p> <p>Обратный клапан вычистить или заменить уплотнения, заменить обратный клапан</p> <p>Выпустить сконденсированную жидкость</p>

Ход компрессора продлевается	Утечка воздуха из пневматической распределительной сети Изношенные поршневый колыц Загрязненный входной фильтр	Контроль пневм. распредел. сети – ослабленное соединение уплотнить Заменить изношенный поршневые колыц Загрязненный фильтр заменить новым
Компрессор шумит (стучит, металлические звуки)	Поврежден подшипник поршня, шатуна, подшипник двигателя Ослабленная (лопнувшая) удлинитель усиления (пружина)	Поврежденный подшипник заменить Поврежденную пружину заменить

19. РЕМОНТНОЕ ОБСЛУЖИВАНИЕ

Гарантийный и послегарантийный ремонт должен выполняться производителем, его уполномоченным представителем или обслуживающим персоналом, одобренным поставщиком.

Производитель оставляет за собой право вносить изменения в устройство без предварительного уведомления. Никакие изменения не повлияют на функциональные свойства устройства.

20. УСЛОВИЯ ХРАНЕНИЯ

В том случае, если компрессор не будет применяться длительное время, рекомендуется слить конденсат из напорного резервуара и компрессор потом запустить в эксплуатацию примерно на 10 минут с открытым клапаном для слива конденсата (8) (рис.1). Потом выключить компрессор выключателем (рис.4), закрыть клапан для слива конденсата и отсоединить оборудование от электросети.

21. УТИЛИЗАЦИЯ УСТРОЙСТВА

- Отсоединить оборудование от электросети.
- Выпустить давление воздуха в напорном резервуаре, открывая клапан для выпуска конденсата (8) (рис.1)
- Утилизируйте оборудование в соответствии с применимыми нормативами, касающимися защиты окружающей среды.
- Для этого обратитесь в специализированную компанию, занимающуюся сортировкой и утилизацией отходов.
- Отработанные компоненты не должны оказывать отрицательного влияния на окружающую среду.

OBSAH

DÔLEŽITÉ INFORMÁCIE	80
1. ZHODA S POŽIADAVKAMI SMERNÍC EURÓPSKEJ ÚNIE	80
2. ÚČEL URČENIA	80
3. KONTRAINDIKÁCIE A VEDĽAJŠIE ÚČINKY	80
4. UPOZORNENIA A SYMBOLY	80
5. UPOZORNENIA	81
6. SKLADOVACIE A PREPRAVNÉ PODMIENKY	83
7. TECHNICKÉ ÚDAJE	84
8. POPIS VÝROBKU	88
9. POPIS FUNKCIE	88
10. PNEUMATICKÁ SCHÉMA.....	90
INŠTALÁCIA	91
11. PODMIENKY POUŽITIA.....	91
12. USTAVENIE KOMPRESORA.....	92
13. PNEUMATICKÉ PRIPOJENIE.....	94
14. ELEKTRICKÁ PRÍPOJKA.....	94
15. SCHÉMA ZAPOJENIA.....	95
OBSLUHA	96
16. PRVÉ UVEDENIE DO PREVÁDZKY	96
17. ZAPNUTIE KOMPRESORA.....	97
ÚDRŽBA.....	97
18. ÚDRŽBA VÝROBKU.....	97
VYHLADÁVANIE PORÚCH A ICH ODSTRÁNENIE.....	101
19. INFORMÁCIE O OPRAVÁRENSKEJ SLUŽBE.....	102
20. Odstavenie.....	102
21. LIKVIDÁCIA PRÍSTROJA	102
PRÍLOHA.....	103
22. ZÁZNAM O INŠTALÁCII.....	106

DÔLEŽITÉ INFORMÁCIE

1. ZHODA S POŽIADAVKAMI SMERNÍC EURÓPSKEJ ÚNIE

Tento výrobok je v zhode s požiadavkami Nariadenia (EÚ) o zdravotníckych pomôckach (MDR 2017/745) a je bezpečný na zamýšľané použitie pri dodržaní všetkých bezpečnostných pokynov.

2. ÚČEL URČENIA

Kompresor sa používa ako zdroj čistého bezolejového stlačeného vzduchu na napájanie aktívnych zdravotníckych pomôcok, kde stlačený vzduch vyhovuje svojimi parametrami a vlastnosťami.



Vzduch kompresora bez ďalšej úpravy nie je vhodný na pripojenie k prístrojom na umelú ventiláciu pľúc.

Akékoľvek použitie výrobku nad rámec účelu určenia sa považuje za nesprávne použitie. Výrobca nemôže niesť zodpovednosť za akékoľvek škody alebo zranenia v dôsledku nesprávneho použitia.

3. KONTRAINDIKÁCIE A VEDĽAJŠIE ÚČINKY

Nie sú známe žiadne kontraindikácie ani vedľajšie účinky.

4. UPOZORNENIA A SYMBOLY

V návode na inštaláciu, obsluhu a údržbu, na obaloch a výrobku sa pre zvlášť dôležité údaje používajú nasledujúce pomenovania prípadne znaky:



Všeobecné upozornenie



Výstraha



Pozor, nebezpečenstvo úrazu elektrickým prúdom



Pozri návod na použitie



Dodržiavaj návod na použitie



CE – označenie



Zdravotnícka pomôcka



Sériové číslo



Kompresor je ovládaný automaticky a môže sa spustiť bez výstrahy.



Pozor ! Horúci povrch.



Pripojenie ochranného vodiča



Svorka pre ekvipotenciálne pospojovanie



Poistka



Odvod kondenzátu



Manipulačná značka na obale – KREHKÉ



Manipulačná značka na obale – TÝMTO SMEROM NAHOR



Manipulačná značka na obale – CHRÁNIŤ PRED DAŽĎOM



Manipulačná značka na obale – TEPLOTNÉ MEDZE



Manipulačná značka na obale – OBMEDZENÉ STOHOVANIE



Značka na obale – RECYKLOVATEĽNÝ MATERIÁL



Výrobca

5. UPOZORNENIA

Výrobok je navrhnutý a vyrobený tak, aby pri stanovenom spôsobe používania bol bezpečný pre používateľa aj pre okolie. Preto je potrebné riadiť sa nasledujúcimi upozoreniami.

5.1. Všeobecné upozornenia

NÁVOD NA POUŽITIE SI PRED POUŽITÍM VÝROBKU STAROSTLIVO PREČÍTAJTE A USCHOVAJTE NA ĎALŠIE POUŽITIE!

- Návod na použitie slúži na správnu inštaláciu, obsluhu a údržbu výrobku. Presné rešpektovanie tohto návodu je predpokladom pre správne používanie v zmysle zamýšľaného použitia a správnu obsluhu výrobku.
- Originálny obal uschovať pre prípadné vrátenie zariadenia. Originálny obal zaručuje optimálnu ochranu výrobku počas prepravy. Ak bude počas záručnej lehoty potrebné výrobok vrátiť, výrobca neručí za škody spôsobené nesprávnym zabalením výrobku..
- Na škody, ktoré vznikli používaním iného príslušenstva ako predpisuje alebo odporúča výrobca, sa záruka nevzťahuje.
- Výrobca preberá zodpovednosť za bezpečnosť, spoľahlivosť a funkciu výrobku len vtedy, ak:
 - inštaláciu, nové nastavenia, zmeny, rozšírenia a opravy vykonáva výrobca alebo organizácia poverená výrobcom.
 - výrobok sa používa v súlade s návodom na použitie.
- Návod na použitie zodpovedá pri tlači vyhotoveniu výrobku a stavu podľa príslušných bezpečnostno-technických noriem. Výrobca si vyhradzuje všetky práva na ochranu pre uvedené zapojenia, metódy a názvy.

- Návod na použitie je pôvodný, preklad je vykonaný v súlade s najlepšimi znalosťami.

5.2. Všeobecné bezpečnostné upozornenia

Výrobca navrhol a vyrobil výrobok tak, aby boli minimalizované akékoľvek riziká pri správnom používaní podľa zamýšľaného použitia. Výrobca považuje za svoju povinnosť popísať nasledujúce všeobecné bezpečnostné opatrenia.

- Pri prevádzke výrobku treba rešpektovať zákony a regionálne predpisy platné v mieste používania. V záujme bezpečného priebehu práce sú za dodržiavanie predpisov zodpovední prevádzkovateľ a používateľ.
- Bezpečnosť obsluhujúceho personálu a bezporuchová prevádzka výrobku sú zaručené len pri používaní originálnych častí výrobku. Používať sa môže len príslušenstvo a náhradné diely uvedené v technickej dokumentácii alebo vyslovene povolené výrobcom.
- Pred každým použitím výrobku je potrebné, aby sa používateľ presvedčil o jeho riadnej funkcii a bezpečnom stave.
- Používateľ musí byť oboznámený s obsluhou prístroja.
- Výrobok nie je určený pre prevádzku v priestoroch, v ktorých hrozí nebezpečenstvo výbuchu.
- Ak v priamej súvislosti s prevádzkou prístroja nastane nežiaduca udalosť, používateľ je povinný o tejto udalosti neodkladne informovať svojho dodávateľa.
- V prípade závažnej nehody spôsobenej pomôckou by mal túto udalosť používateľ ohlásiť výrobcovi a príslušnému orgánu v členskom štáte, v ktorom má používateľ bydlisko.

5.3. Bezpečnostné upozornenia k ochrane pred elektrickým prúdom

- Zariadenie môže byť pripojené iba na riadne namontovanú zásuvku s ochranným pripojením.
- Pred pripojením výrobku sa musí skontrolovať, či sú sieťové napätie a sieťový kmitočet uvedené na výrobku v súlade s hodnotami napájacej siete.
- Pred uvedením výrobku do prevádzky treba skontrolovať prípadné poškodenia pripájaných vzduchových a elektrických rozvodov. Poškodené pneumatické a elektrické vedenia sa musia ihneď vymeniť.
- Pri nebezpečných situáciách alebo technických poruchách je potrebné výrobok ihneď odpojiť zo siete (vytiahnuť sieťovú vidlicu).
- Pri všetkých prácach v súvislosti s opravami a údržbou musia byť:
 - sieťová vidlica vytiahnutá zo zásuvky
 - vypustený tlak z tlakovej nádrže a tlakové potrubia odvzdušnené
- Výrobok môže inštalovať len kvalifikovaný odborník.

6. SKLADOVACIE A PREPRAVNÉ PODMIENKY

Kompresor sa zo závodu zasiela v prepravnom obale. Tým je výrobok zabezpečený pred poškodením pri preprave.



Pri preprave používať podľa možnosti vždy originálny obal kompresora. Kompresor prepravovať nastojato, vždy zaistený prepravným fixovaním.



Počas prepravy a skladovania chrániť kompresor pred vlhkosťou, nečistotou a extrémnymi teplotami. Kompresory v originálnom obale sa môžu skladovať v teplých, suchých a bezprašných priestoroch. Neskladovať v priestoroch spolu s chemickými látkami.



Podľa možnosti si obalový materiál uschovajte. Ak nie je uschovanie možné, zlikvidujte ho šetrne k životnému prostrediu. Prepravný kartón sa môže vyhodiť so starým papierom.



Kompresor sa smie prepravovať len bez tlaku. Pred prepravou nevyhnutne vypustiť tlak vzduchu z tlakovej nádrže a tlakových hadíc a vypustiť kondenzát zo vzdušníka.



Zariadenie je zakázané skladovať a prepravovať mimo definovaných podmienok, pozri nižšie.

Podmienky okolia pri skladovaní a preprave

Výrobky je možné skladovať v priestoroch a dopravných prostriedkoch bez stôp prchavých chemických látok za podmienok:

Teplota: -25°C až $+55^{\circ}\text{C}$, 24 h až $+70^{\circ}\text{C}$

Relatívna vlhkosť vzduchu: 10% až 90 % (bez kondenzácie)

7. TECHNICKÉ ÚDAJE

Kompresory sú konštruované pre prostredie suchých a vetraných vnútorných priestorov za podmienok:

Teplota: +5 °C až +40 °C,
 Relatívna vlhkosť max.: 70 %,
 Absolútna vlhkosť max.: 15 g/m³

TYP	DK50
MODEL	standard
Výstupný prietok	50 L.min ⁻¹
Menovité napätie /frekvencia / menovitý prúd V/Hz/A	230/50 / 2.8
Filtrácia vzduchu do μm	-
Prípojka výstupu stlačeného vzduchu	Spojka hadicová ø6
Hladina hluku dB(A)	≤ 53
Režim prevádzky	trvalý - S1
Vypustenie skondenzovanej vody	manuálne
Objem vzdušníka	4,7 L
Pracovný tlak	4,5 bar – 6 bar
Prevádzkový tlak poistného ventilu	7 bar
Nastavenie tlaku vzduchu na výstupe	-
Rozmery kompresora š x h x v	440 x 360 x 430 mm
Rozmery kompresora s kolieskami š x h x v	480 x 390 x 505 mm
Hmotnosť kompresora netto	30 kg
Hmotnosť kompresora s kolieskami	31 kg
Prevedenie podľa STN EN 60601-1	triedy I.

7.1. Korekcia FAD výkonnosti podľa nadmorskej výšky

Korekčná tabuľka FAD

Nadm. výška [mnm]	0 - 1500	1501 - 2500	2501 - 3500	3501 - 4500
FAD [l/min]	FAD x 1	FAD x 0,8	FAD x 0,71	FAD x 0,60

FAD („Free Air Delivery“) výkonnosť sa vzťahuje na podmienky:

Nadmorská výška: 0 m.n.m.
 Atmosférický tlak: 101325 Pa

Teplota: 20°C
 Relatívna vlhkosť: 0%

7.2. Vyhlásenie k elektromagnetickej kompatibilite

Prístroj vyžaduje špeciálnu obozretnosť týkajúcu sa elektromagnetickej kompatibility (EMC) a vyžaduje inštaláciu a uvedenie do prevádzky v súlade s EMC informáciami uvedenými nižšie.


Smernice a vyhlásenie výrobcu – elektromagnetické vyžarovanie		
Podľa IEC 60601-1-2:2014 - Zdravotnícke elektrické prístroje. Časť 1-2: Všeobecné požiadavky na základnú bezpečnosť a nevyhnutné prevádzkové vlastnosti. Prídružená norma: Elektromagnetické rušenia		
Prístroj je určený pre použitie v elektromagnetickom prostredí špecifikovanom nižšie. Zákazník alebo užívateľ by mali zaistiť, aby bol prístroj používaný v takom prostredí.		
Test vyžarovania	Zhoda	Elektromagnetické prostredie - návod
RF vyžarovanie CISPR 11	Skupina 1	Prístroj využíva RF energiu len pre svoje vnútorné funkcie. Preto sú RF emisie veľmi nízke a pravdepodobne nespôsobia rušenie okolitých elektronických zariadení.
RF vyžarovanie CISPR 11	Trieda B	Prístroj je vhodný pre použitie vo všetkých zariadeniach vrátane domácich prevádzok a zariadení priamo napojených na verejnú sieť nízkeho napätia, napájajúcu obytné budovy.
Harmonické vyžarovanie IEC 61000-3-2	Trieda A	
Kolísanie napätia / blikanie IEC 61000-3-3	Prístroj pravdepodobne nebude spôsobovať blikanie, pretože prúd po spustení je približne konštantný.	

Smernice a vyhlásenie výrobcu - elektromagnetická odolnosť

Podľa IEC 60601-1-2:2014 - Zdravotnícke elektrické prístroje. Časť 1-2: Všeobecné požiadavky na základnú bezpečnosť a nevyhnutné prevádzkové vlastnosti. Prídružená norma: Elektromagnetické rušenia

Prístroj je určený pre použitie v elektromagnetickom prostredí špecifikovanom nižšie. Zákazník alebo užívateľ by mali zaistiť, aby bol prístroj používaný v takom prostredí.

Test odolnosti	Úroveň testu IEC 60601-1-2	Úroveň zhody	Elektromagnetické prostredie - návod
Elektrostatický výboj (ESD) podľa IEC 61000-4-2	±8 kV kontakt ±15 kV vzduch	±8 kV kontakt ±15 kV vzduch	Podlaha by mala byť drevená, betónová alebo keramická. Ak je podlaha pokrytá syntetickým materiálom, musí byť relatívna vlhkosť vzduchu aspoň 30 %.
Rýchle elektrické prechodné javy / skupiny impulzov IEC 61000-4-4	±2 kV pre elektrické rozvody ±1 kV pre vstupné / výstupné rozvody	±2 kV 100 kHz frekvencia opakovania Pripojené na sieť	Kvalita elektrického napájania by mala byť typická pre komerčné alebo nemocničné prostredie.
Rázový impulz IEC 61000-4-5	±1 kV rozdielový režim ±2 kV spoločný režim	±1 kV L-N ±2 kV L-PE; N-PE Pripojené na sieť	Kvalita elektrického napájania by mala byť typická pre komerčné alebo nemocničné prostredie.
Pokles napätia, krátke prerušenie a zmeny napätia na vstupných elektrických rozvodoch IEC 60601-4-11	$U_T=0\%$, 0,5 cyklu (pri 0, 45, 90, 135, 180, 225, 270 a 315°) $U_T=0\%$, 1 cyklus $U_T=70\%$ 25/30 cyklov (pri 0°) $U_T=0\%$, 250/300 cyklov	$U_T=>95\%$, 0,5 cyklu (pri 0, 45, 90, 135, 180, 225, 270 a 315°) $U_T=>95\%$, 1 cyklus $U_T=70\%$ (30% pokles U_T), 25(50Hz)/30(60Hz) cyklov (pri 0°) $U_T=>95\%$, 250(50Hz)/300(60Hz) cyklov	Kvalita elektrického napájania by mala byť typická pre komerčné alebo nemocničné prostredie. Prístroj sa automaticky zastaví a reštartuje pri každom poklese napätia. V tomto prípade nedochádza k neprijateľnému poklesu tlaku.
Magnetické pole sieťovej frekvencie (50/60 Hz) podľa IEC 61000-4-8	N/A	N/A	Prístroj neobsahuje komponenty citlivé na magnetické pole.
POZNÁMKA: U_T je AC sieťové napájanie pred aplikáciou testovacej úrovne.			

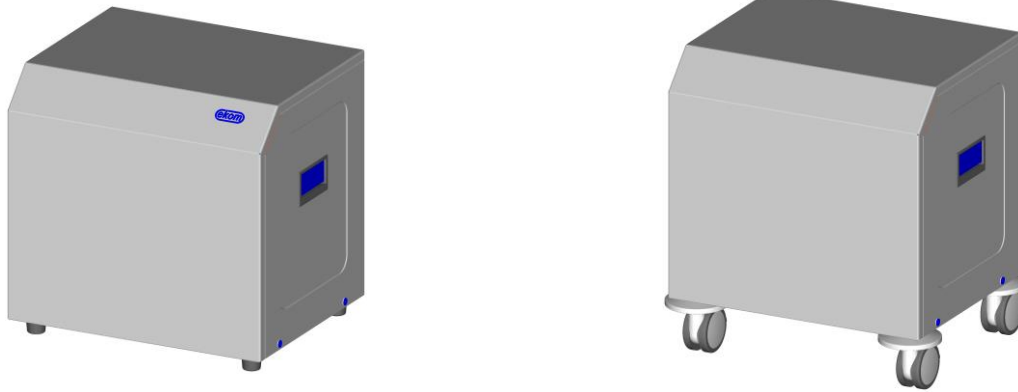
Smernice a vyhlásenie výrobcu - elektromagnetická odolnosť			
Podľa IEC 60601-1-2:2014 - Zdravotnícke elektrické prístroje. Časť 1-2: Všeobecné požiadavky na základnú bezpečnosť a nevyhnutné prevádzkové vlastnosti. Prídružená norma: Elektromagnetické rušenia			
Prístroj je určený pre použitie v elektromagnetickom prostredí špecifikovanom nižšie. Zákazník alebo užívateľ by mali zaistiť, aby bol prístroj používaný v takom prostredí.			
Test odolnosti	Úroveň testu IEC 60601-1-2	Úroveň zhody	Elektromagnetické prostredie - návod
Frekvencie šírené vedením IEC 61000-4-6	3 Vrms 150 kHz až 80MHz	3 Vrms	Prenosné a mobilné rádio-frekvenčné komunikačné zariadenia vrátane káblov by sa nemali používať vo vzdialenosti od prístroja menšej, než je odporúčaná vzdialenosť vypočítaná pomocou rovnice pre frekvenciu vysielača. Odporúčané ochranné vzdialenosti $d=1,2\sqrt{P}$ $d=1,2\sqrt{P}$, 80 MHz až 800 MHz $d=2,3\sqrt{P}$, 800 MHz až 2,7 GHz
Frekvencie šírené vyžarovaním IEC 61000-4-3	3 V/m 80 MHz až 2,7 GHz	3 V/m	kde P je maximálny menovitý výkon vysielača vo wattoch (W) podľa údajov výrobcu vysielača a d je odporúčaná ochranná vzdialenosť v metroch (m).
Blízke polia od RF bezdrôtových komunikačných prístrojov IEC 61000-4-3	9 až 28 V/m 15 určených frekvencií (380 až 5800 MHz)	9 až 28 V/m 15 určených frekvencií (380 až 5800 MHz)	Intenzita poľa od pevných rádio-frekvenčných vysielačov, ako bola určená prieskumom polohy lokality ^a , by mala byť nižšia ako úroveň zhody pre každý frekvenčný rozsah ^b . K rušeniu môže prísť v blízkosti zariadení označených nasledujúcim symbolom: 
POZNÁMKA 1 Pri 80 MHz a 800 MHz platí vyšší frekvenčný rozsah. POZNÁMKA 2 Tieto smernice nemusia platiť za všetkých okolností. Šírenie elektromagnetického vlnenia ovplyvňuje schopnosť absorpcie a odrazivosti budov, objektov a osôb.			
^a Intenzitu poľa pevných vysielačov, ako sú napríklad vykryvače mobilných telefónov a pozemné mobilné rádiové stanice, amatérske rádiové stanice, rozhlasové vysielače v pásmach AM a FM a televízne vysielače, nie je možné presne teoreticky predpovedať. Pre posúdenie elektromagnetického prostredia z hľadiska pevných vysielačov by mal byť zvážený prieskum lokality. Ak nameraná intenzita poľa na mieste, na ktorom je prístroj používaný, prekročí vyššie uvedenú úroveň zhody, je potrebné prístroj pozorovať, aby bolo možné overiť jeho riadne fungovanie. Neobvyklé správanie si môže vyžadovať dodatočné opatrenia, napr. iné nasmerovanie alebo premiestnenie prístroja.			
^b Nad frekvenčným rozsahom 150 kHz až 80 MHz by intenzita poľa mala byť nižšia než 3 V/m.			

8. POPIS VÝROBKU

8.1. Prevedenia

Kompresor sa vyrába podľa účelu v nasledovných prevedeniach:

Dentálny kompresor DK50 bezolejový kompresor osadený na základni prekrytej kompaktnou skrinkou s účinným tlmením hluku.



Podľa požiadavky zákazníka je kompresor vybavený gumenými nožičkami alebo kolieskami (2x brzdené (22) vpredu a 2x nebrzdené (23) vzadu).



Stlačený vzduch kompresora nie je vhodný bez prídavného filtračného zariadenia na prevádzkovanie dýchacích prístrojov alebo podobných zariadení.



Kompresor neobsahuje záložný zdroj energie.

9. POPIS FUNKCIE

(Obr.1)

Agregát kompresora (1) nasáva atmosferický vzduch cez vstupný filter a stláča ho cez spätný ventil (3) do vzdušníka (2). Spotrebič odoberá stlačený vzduch zo vzdušníka, čím klesne tlak na zapínací tlak nastavený na tlakovom spínači (4), pri ktorom sa zapne kompresor. Kompresor opäť stláča vzduch do vzdušníka až po hodnotu vypínacieho tlaku, kedy sa vypne kompresor. Poistný ventil (5) zamedzuje prekročeniu tlaku vo vzdušníku nad maximálnu dovolenú hodnotu. Vypúšťacím ventilom (8) sa vypúšťa kondenzát zo vzdušníka. **Skrinka** (16) zabezpečuje prekrytie kompresora, čím účinne tlmí hluk, pričom zabezpečuje dostatočnú výmenu chladiaceho vzduchu. Ventilátor (6) zabezpečuje chladenie kompresora a je v činnosti súčasne s motorom kompresora. Po dlhšej činnosti kompresora sa môže zvýšiť teplota v skrinke nad 40°C, vtedy je ventilátor v činnosti aj po vypnutí kompresora až po vychladení priestoru v skrinke pod cca 32°C. Zelená kontrolka (10) signalizuje pripojenie kompresora k sieťovému napätiu. Príchytky (14) zabezpečuje prívodnú šnúru proti vytrhnutiu z konektora (10).



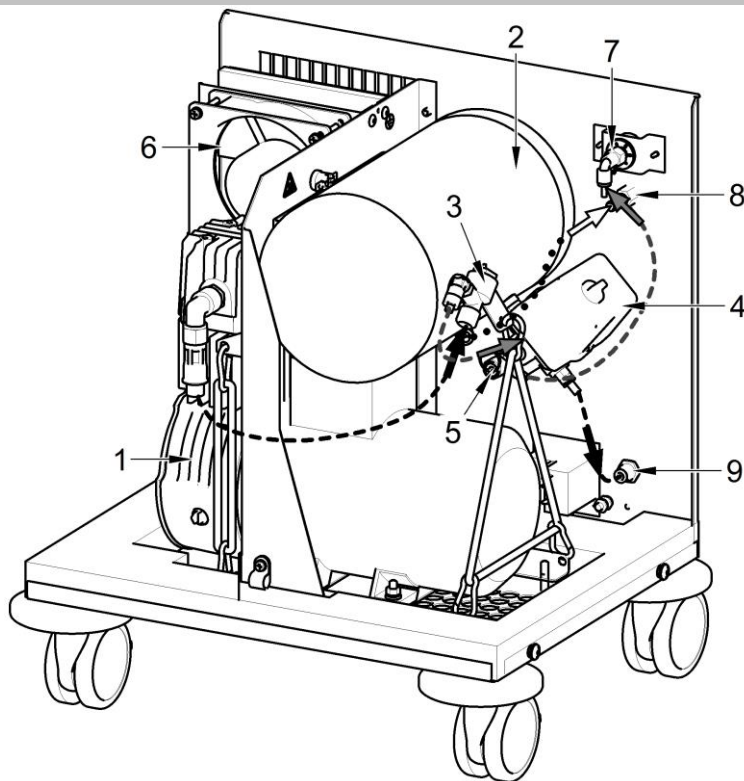
Je zakázané vytvárať prekážky na vstupe chladiaceho vzduchu do skrinky (po obvode spodnej časti skrinky) a na výstupe teplého vzduchu v hornej zadnej časti skrinky.



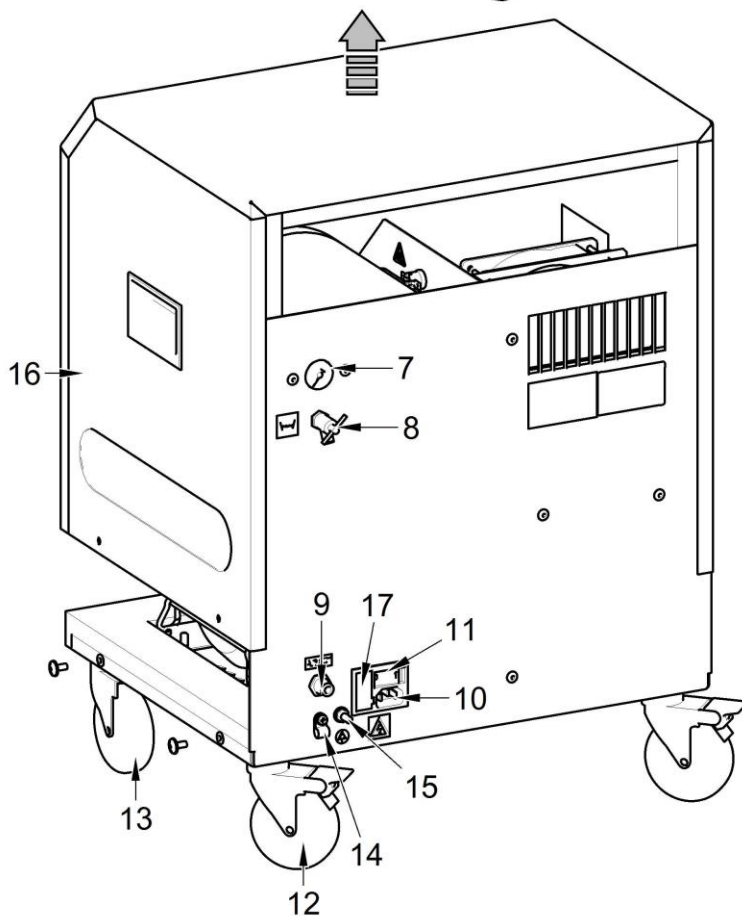
V prípade umiestnenia kompresora na mäkkú podlahu, napr. koberec, je nutné vytvoriť medzeru medzi základňou a podlahou alebo skrinkou a podlahou, napr. podloženie pätiiek tvrdými podložkami z dôvodu zabezpečenia dostatočného chladenia kompresora.

Obr. 1: Kompresor

Popis k obrázkom:

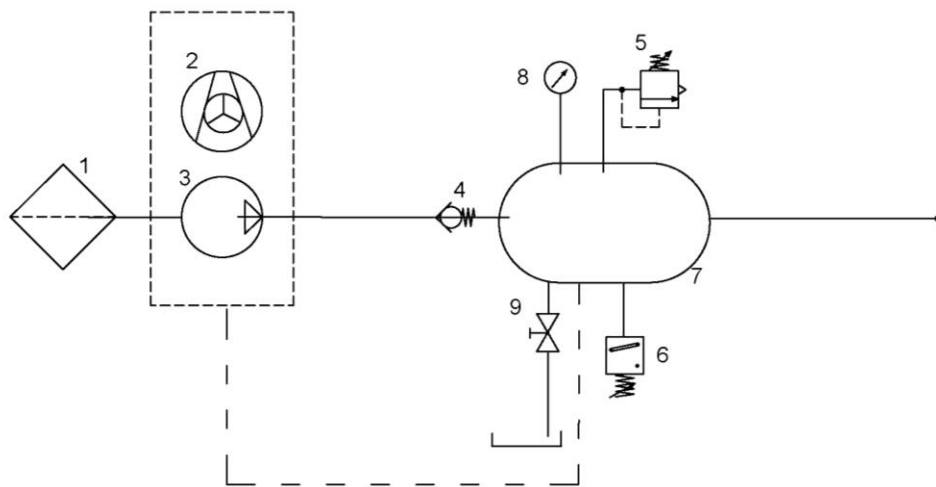


- 1 Agregát kompresora
- 2 Vzdušník
- 3 Spätný ventil
- 4 Tlakový spínač
- 5 Poistný ventil
- 6 Ventilátor
- 7 Manometer
- 8 Vypúšťací ventil kondenzátu
- 9 Výstup tlakového vzduchu
- 10 Konektor
- 11 Sieťový vypínač
- 12 Koliesko brzdené
- 13 Koliesko
- 14 Príchytky sieťovej šnúry
- 15 Svorka ekviponenciálneho pospojovania
- 16 Kryt kompresora
- 17 Poistkové puzdro s poistkami



10. PNEUMATICKÁ SCHÉMA

DK50



Popis k pneumatickej schéme

- 1 Vstupný filter
- 2 Ventilátor kompresora
- 3 Kompresor
- 4 Spätný ventil
- 5 Poistný ventil
- 6 Tlakový spínač
- 7 Vzdušník
- 8 Manometer vzdušníka
- 9 Odkalovací ventil

INŠTALÁCIA

11. PODMIENKY POUŽITIA

- Kompresor sa smie inštalovať a prevádzkovať len v suchých, dobre vetraných a bezprašných priestoroch, kde parametre prostredia zodpovedajú požiadavkám uvedeným v kap. 7. - Technické údaje. Kompresor sa musí inštalovať tak, aby bol ľahko prístupný pre obsluhu a údržbu a aby bol prístupný výrobný štítok.
- Kompresor musí stáť na rovnom dostatočne stabilnom podklade (pozor na hmotnosť kompresora, pozri kap. 7. - Technické údaje).
- Kompresory nemôžu byť prevádzkované vo vonkajšom prostredí, ani vo vlhkom alebo mokrom prostredí. Zariadenie je zakázané používať v priestoroch s prítomnosťou výbušných plynov, prachov alebo horľavých kvapalín.
- Pred zabudovaním kompresora do zdravotníckych zariadení musí dodávateľ posúdiť, či médium – vzduch, dané k dispozícii, vyhovuje požiadavkám daného účelu použitia. Rešpektujte s týmto zreteľom technické údaje výrobku. Klasifikáciu a hodnotenie zhody má pri zabudovaní vykonávať výrobca - dodávateľ konečného výrobku.
- Iné použitie alebo použitie nad tento rámec sa nepovažuje za používanie podľa účelu určenia. Výrobca neručí za škody z toho vyplývajúce. Riziko znáša výlučne prevádzkovateľ / používateľ.



Kompresor musí inštalovať a po prvýkrát uviesť do prevádzky len kvalifikovaný odborník. Jeho povinnosťou je zaškoliť obsluhujúci personál o používaní a údržbe zariadenia. Inštaláciu a zaškolenie obsluhy potvrdí zápisom v dokumente o inštalovaní zariadenia.



Pred prvým uvedením do prevádzky sa musia odstrániť všetky prvky slúžiace na fixáciu zariadenia počas dopravy – inak hrozí poškodenie výrobku.



Pri činnosti kompresora sa časti agregátu môžu zohriať na teploty nebezpečné pre dotyk obsluhy alebo materiálu. Nebezpečenstvo popálenia alebo požiaru! Pozor horúci povrch!



Elektrická šnúra pre pripojenie na elektrickú sieť a vzduchové hadice nesmú byť zlomené. Prívodná šnúra nesmie byť namáhaná na ťah, tlak a nadmerné teplo.



Pri prvom uvedení do prevádzky môžete dočasne (na krátky čas) cítiť charakteristický pach nového výrobku. Tento pach je len krátkodobý a nebráni riadnemu používaniu výrobku. Po inštalácii zabezpečte vetranie miestnosti.

Podmienky okolia pri prevádzke

Teplota : +5°C až +40°C,
Relatívna vlhkosť max.: 70%,
Absolútna vlhkosť max. 15 g/m³.

12. USTAVENIE KOMPRESORA



Výrobok musí inštalovať len vyškolený kvalifikovaný odborník.

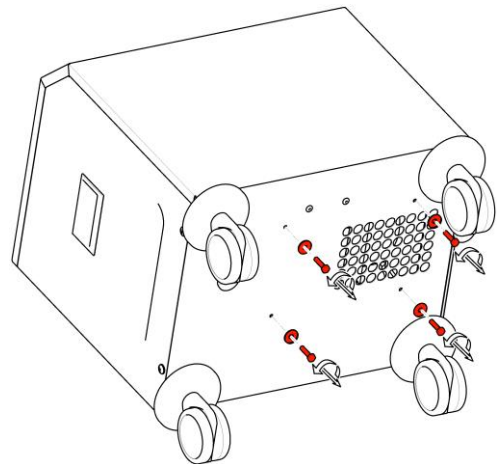


Fixačné skrutky uschovajte na prípadný neskorší transport kompresora.

- Vybaľiť kompresor z obalu.

12.1. Odfixovanie kompresora

Odskrutkujte štyri skrutky M6 zo spodnej časti prístroja označené červenou výstražnou podložkou.

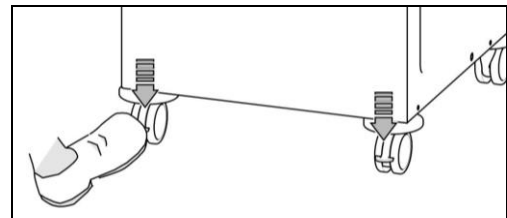


Obr. 2

Zaistenie koliesok

Pred spustením kompresora s kolieskami do prevádzky, je potrebné zaistiť kompresor proti posunutiu.

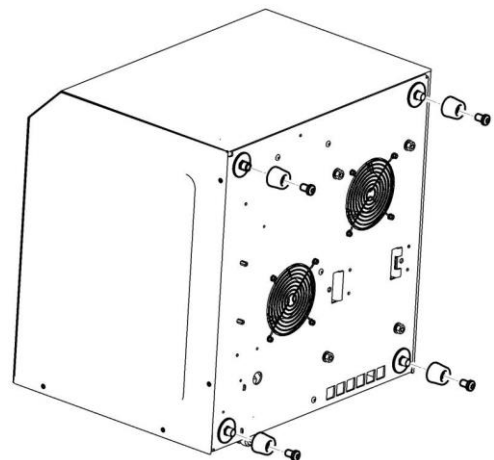
Zabrzdiť kolieska!



Obr. 3

Inštalácia nožičiek

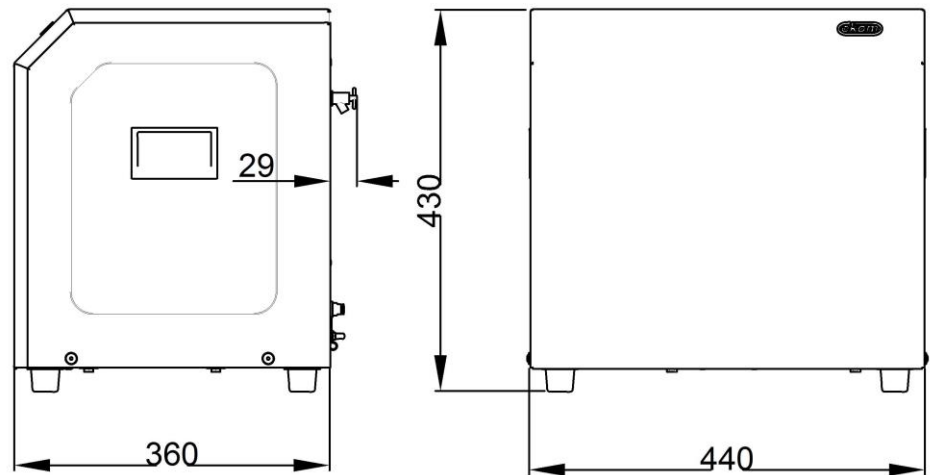
Pri verzii kompresora s nožičkami treba nainštalovať nožičky podľa obrázku.



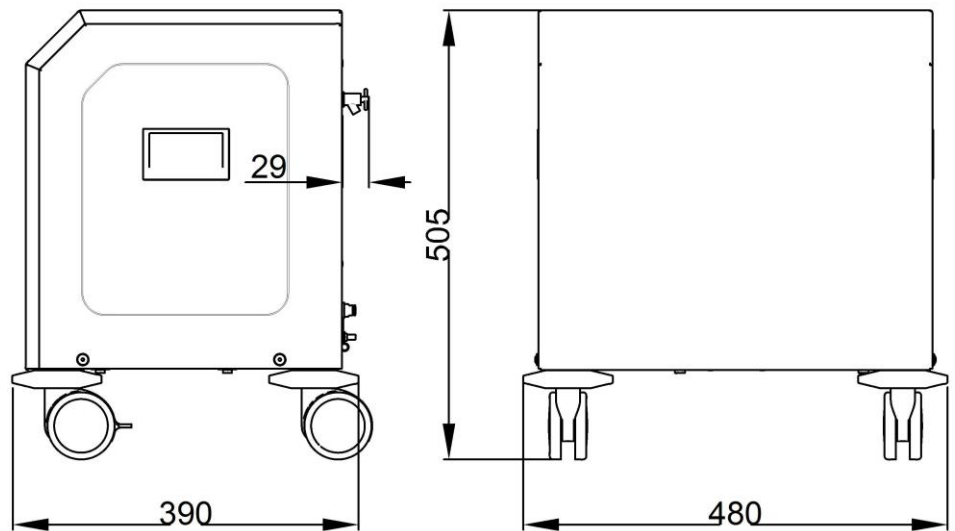
Obr. 4

12.2. Inštaláčn schma

Kompresor s noikami



Kompresor s kolieskami

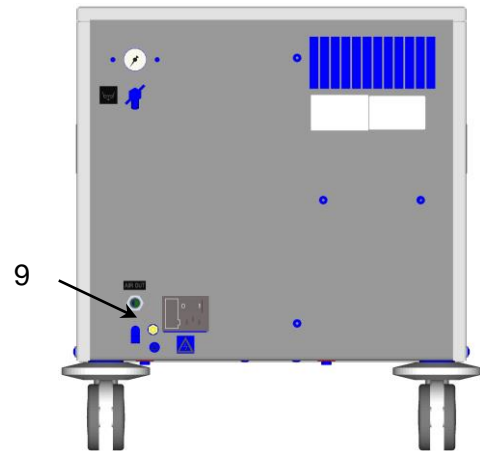


13. PNEUMATICKÉ PRIPOJENIE

13.1. Pripojenie k výstupu stlačeného vzduchu

Dentálny kompresor je vybavený výstupom tlakového vzduchu OUT (9) v zadnej časti skrinky.

Do spojky (9) - výstup tlakového vzduchu - pripojte tlakovú hadičku pre prepojenie ku príslušnému zubolekárskeму zariadeniu.



Obr.5

14. ELEKTRICKÁ PRÍPOJKA



Zapojiť vidlicu sieťovej šnúry do sieťovej zásuvky. Prístroj sa dodáva so šnúrou zakončenou vidlicou s ochranným kontaktom. Je nevyhnutne potrebné rešpektovať miestne elektrotechnické predpisy. Napätie siete a kmitočet musia súhlasiť s údajmi na prístrojovom štítku.

(Obr.1)

- Zásuvka musí byť z bezpečnostných dôvodov dobre prístupná, aby sa prístroj v prípade nebezpečenstva mohol bezpečne odpojiť zo siete.
- Príslušný prúdový okruh musí byť v rozvode elektrickej energie istený.
- Svorku pre ekvipotenciálne pospojovanie (15) prepojte s ostatnými prístrojmi a vodičom spôsobom podľa platných elektrotechnických predpisov.
- Prívodnú šnúru zaistíte proti náhodnému uvoľneniu príchýtkou (14).
- Prístroj je istený poistkami, ktoré sú umiestnené v poistkovom puzdre (17), pod krytom panela sieťového vypínača.



Elektrický kábel sa nesmie dotýkať horúcich častí kompresora. Riziko úrazu elektrickým prúdom!



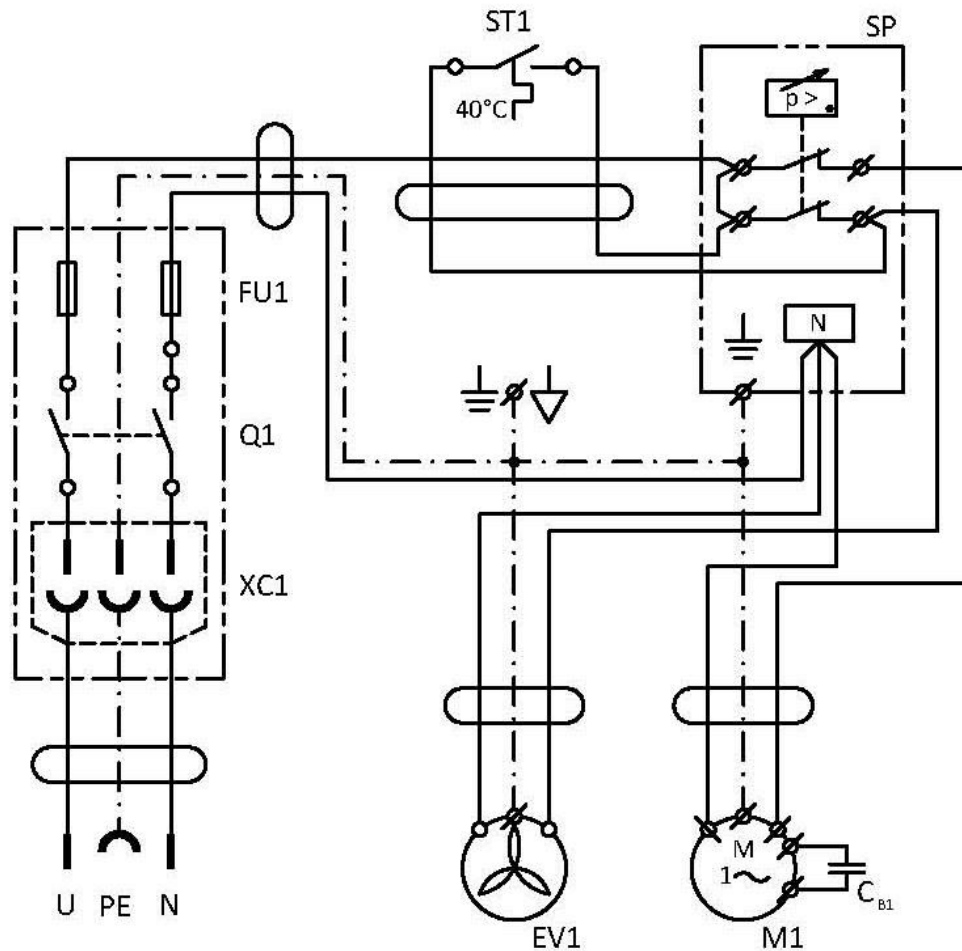
Elektrická šnúra sa nesmie dotýkať horúcich častí kompresora. Môže sa poškodiť izolácia! Elektrická šnúra pre pripojenie na elektrickú sieť a vzduchové hadice nesmú byť zlomené.

15. SCHÉMA ZAPOJENIA

DK50

1/N/PE 230 V, 50 Hz

ELEKTRICKÝ PREDMET TR.1



Popis k elektrickej schéme

M1	Motor kompresora
E1	Ventilátor kompresora
ST 1	Teplotný spínač
CB1	Kondenzátor
SP	Tlakový spínač
FU	Poistky
Q1	Sieťový vypínač
XC1	Konektor

OBSLUHA

Zariadenie smie obsluhovať len vyškolený personál !



Pri nebezpečenstve odpojiť kompresor od siete (vytiahnuť sieťovú zástrčku).



Agregát kompresora má horúce povrchové plochy.
Pri dotyku existuje nebezpečenstvo popálenia



Pri dlhšom chode kompresora sa zvýši teplota v skrinke nad 40°C a vtedy sa zopne automaticky chladiaci ventilátor. Po vychladení priestoru pod cca 32°C sa ventilátor opäť vypne.



Automatické spustenie. Keď tlak v tlakovej nádrži poklesne na zapínací tlak kompresor sa automaticky zapne. Kompresor sa automaticky vypne, keď tlak vo vzdušníku dosiahne hodnotu vypínacieho tlaku.



Je zakázané meniť pracovné tlaky tlakového spínača nastaveného u výrobcu. Činnosť kompresora pri nižšom pracovnom tlaku ako je zapínací tlak svedčí o vysokej spotrebe vzduchu (pozri kap. Poruchy).

16. PRVÉ UVEDENIE DO PREVÁDZKY

(Obr.1)

- Skontrolovať, či boli odstránené všetky fixačné prvky použité počas prepravy.
- Skontrolovať správne pripojenie vedení tlakového vzduchu.
- Skontrolovať riadne pripojenie na elektrickú sieť.
- Zapnite sieťový vypínač (11) do polohy „I“ na zadnej strane kompresora.

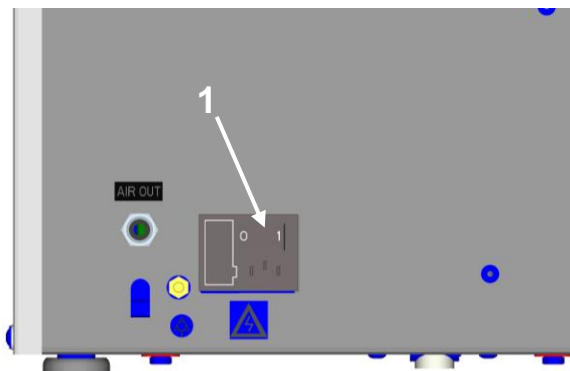
Kompresor - po prvom zapnutí sieťového vypínača kompresor natlakuje vzdušník na vypínací tlak a tlakový spínač kompresor samočinne vypne. V ďalšom období kompresor pracuje už v automatickom režime, podľa spotreby tlakového vzduchu tlakový spínač kompresor zapína a vypína.



Kompresor neobsahuje záložný zdroj energie.

17. ZAPNUTIE KOMPRESORA

Zapnúť sieťový vypínač (1) do polohy „I“, kompresor začne pracovať a tlakovať vzduch do vzdušníka. Po dosiahnutí vypínacieho tlaku sa kompresor automaticky vypne. Pri odbere tlakového vzduchu poklesne tlak vo vzdušníku na zapínací tlak, uvedie do činnosti kompresor a vzdušník sa naplní tlakovým vzduchom. Hodnoty zapínacieho a vypínacieho tlaku skontrolovať na tlakomere. Hodnoty môžu byť v tolerancii $\pm 10\%$. Tlak vzduchu vo vzdušníku nesmie prekročiť povolený prevádzkový tlak čomu zabráni poistný ventil.



Obr.6



Pri kompresore nie je dovolené svojvoľne meniť tlakové medze tlakového spínača. Tlakový spínač bol nastavený u výrobcu a ďalšie nastavenie zapínacieho a vypínacieho tlaku môže vykonať iba kvalifikovaný odborník vyškolený výrobcou.

ÚDRŽBA

18. ÚDRŽBA VÝROBKU

UPOZORNENIE

Prevádzkovateľ je povinný zabezpečiť vykonávanie opakovaných skúšok zariadenia minimálne 1x za 24 mesiacov (EN 62353) alebo v intervaloch, ktoré určujú príslušné národné právne predpisy. O výsledkoch skúšok musí byť vykonaný záznam (napr.: podľa EN 62353, Príloha G) spolu s metódami merania.



Pred začatím prác týkajúcich sa údržby kompresora je nutné skontrolovať, či je možné odpojiť kompresor od spotrebiča, aby tým nevzniklo riziko poškodenia zdravia alebo ohrozenia života osoby používajúcej daný spotrebič, prípadne iné materiálne škody!



Počas činnosti kompresora, alebo tesne po jej ukončení majú časti agregátu (hlava, valec, tlaková hadica) vysokú teplotu – nedotýkať sa uvedených častí!



Opravné práce, ktoré presahujú rámec bežnej údržby, smie vykonávať iba kvalifikovaný odborník alebo zákaznícky servis výrobcu. Používajte iba náhradné diely a príslušenstvo predpísané výrobcou.



PRED VYPÚŠŤANÍM STLAČENÉHO VZDUCHU Z PNEUMATICKÉHO ROZVODU (VZDUŠNÍKA) SI TREBA CHRÁNIŤ ZRAK, POUŽIŤ OCHRANNÉ OKULIARE.

Nižšie uvedené práce môže vykonať len zaškolený pracovník nasledovným spôsobom:



PRED ZAČATÍM VYKONÁVANIA NASLEDUJÚCICH PRÁČ NA ÚDRŽBE JE NUTNÉ VYPNÚŤ KOMPRESOR, ODPOJIŤ HO ZO SIETE (VYTIAHNUŤ SIEŤOVÚ ZÁSTRČKU) A VYPUSTIŤ STLAČENÝ VZDUCH ZO VZDUŠNÍKA.



Pred údržbou, servisom výrobku alebo pripájaním / odpájaním prívodu stlačeného vzduchu nechať zariadenie vychladnúť!

NA ZAISTENIE SPRÁVNEJ ČINNOSTI KOMPRESORA, TREBA V INTERVALOCH VYKONÁVAŤ NASLEDUJÚCE ČINNOSTI:

Demontáž krytu:

- odskrutkovať 4 x skrutku na prednom kryte
- odpojiť kábel uzemnenia
- odstrániť predný kryt
- montáž vykonať v opačnom poradí

18.2. Vypustenie kondenzátu



Vypúšťací ventil otvárať opatrne a postupne. Veľké otvorenie vypúšťacieho ventilu je sprevádzané výrazným akustickým prejavom a nekontrolovaným vystreknutím nahromadeného kondenzátu.

Zo vzdušníka (Obr.1)

Kompresor vypnúť zo siete a tlak vzduchu v zariadení znížiť na tlak max. 1 bar, napríklad odpustením vzduchu cez pripojené zariadenie. Nádobu podložiť pod vypúšťací ventil (8) a otvorením ventilu vypustiť kondenzát. Počkať, kým je kondenzát úplne vytlačený z tlakovej nádrže. Vypúšťací ventil (8) opäť zavrieť.



Kontrolovať naplnenie nádoby po značku (podľa objemu 1l /2l nádoby) a vyprázdniť najneskôr raz za deň. V prípade nedodržania intervalu vylievania nádoby môže dôjsť k pretečeniu nádoby.



Riziko pošmyknutia na vlhkej podlahe v prípade pretečenia nádoby.

18.3. Kontrola poistného ventilu

Pri prvom uvedení kompresora do prevádzky treba skontrolovať správnu funkciu poistného ventilu. Poistný ventil nechať len krátko voľne vyfúknuť.



Obr.7



Poistný ventil sa nesmie používať na odtlakovanie vzdušníka. Môže to ohroziť funkciu poistného ventilu. U výrobcu je nastavený na povolený maximálny tlak, je preskúšaný a označený. Nesmie sa prestavovať!



POZOR! STLAČENÝ VZDUCH MÔŽE BYŤ NEBEZPEČNÝ. PRI ODFÚKNUTÍ VZDUCHU SI TREBA CHRÁNIŤ ZRAK. NEBEZPEČENSTVO POŠKODENIA ZRAKU.

18.4. Kontrolná prehliadka zariadenia

Skúška tesnosti:

- Zastaviť odber stlačeného vzduchu .
- Natlakovať vzdušník (nútené spustenie kompresora možno uskutočniť napr. vypustením časti vzduchu cez napájané zariadenie)
- Kompresor sa nesmie uviesť sám do chodu po dobu aspoň 10 min.
- Ak dochádza k poklesu tlaku, mydlovou vodou nájsť netesnosť na spojoch – najskôr zvonku skrinky, potom vo vnútri skrinky po jej demontovaní.
- Zistenú netesnosť odstrániť dotiahnutím, prípadne pretesnením spoja.

Prehliadka zariadenia:

- Skontrolovať stav agregátu kompresora- rovnomernosť chodu, hlučnosť, kontrolovať výkonnosť kompresora - zmerať čas natlakovania vzdušníka z 0 na 6 bar (36 s).
- Skontrolovať stav závesov kompresorového agregátu.
- Kontrola činnosti ventilátora.
- Skontrolovať stav vlastného agregátu:
 - nečistoty v kľukovej skrini a vôľa na kľukovom hriadelí.
- V prípade potreby chybné súčiastky vymeniť.

18.5. Výmena filtračných vložiek kompresora



Pozor, horúci povrch! Po demontáži zadného veka môžu byť vnútorné plochy horúce.

- Demontujte zadné veko. Filtračné vložky sa nachádzajú vo veku kľukovej skrine (20).
- Pomocou skrutkovača vyberte pružný kryt.
- Vyberte použité a znečistené filtračné vložky (A), (B).
- Vložte novú sadu filtračných vložiek (B).
- Prefilter (A) vložte do pružného krytu (hladkou stranou ku kľukovej skrini) a ten nasadte do otvoru veka.



Obr.8

18.6. Čistenie a dezinfekcia vonkajších plôch výrobku

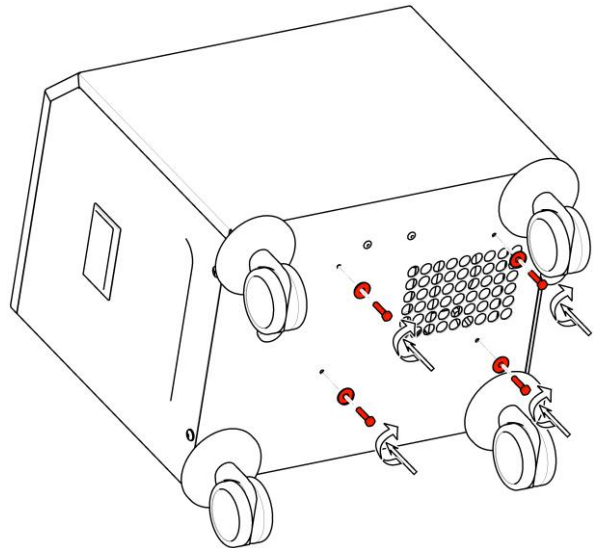
Na čistenie a dezinfekciu vonkajších plôch výrobku používať neutrálne prostriedky.



Používanie agresívnych čistiacich a dezinfekčných prostriedkov obsahujúcich alkohol a chloridy môže viesť k poškodeniu povrchu a zmeny farby výrobku.

18.7. Fixácia agregátu pred prepravou

Pred každou prepravou je potrebné agregát fixovať. Pred fixovaním je potrebné demontovať kryt 4x skrutkou M5 po bočných stenách výrobku. Agregát kompresora je potrebné fixovať k základni štyrmi pôvodnými skrutkami a namontovať kryt.



Obr.9

VYHL'ADÁVANIE PORÚCH A ICH ODSTRÁNENIE



Pred zásahom do zariadenia je potrebné znížiť tlak vzduchu vo vzdušniku na nulu a odpojiť zariadenie od elektrickej siete.

Činnosti súvisiace s odstraňovaním porúch môže vykonávať len kvalifikovaný odborník servisnej služby.

PORUCHA	MOŽNÁ PRÍČINA	SPÔSOB ODSTRÁNENIA
Kompresor sa nerozbieha	V tlakovom spínači nie je napätie Prerušené vinutie motora, poškodená tepelná ochrana Vadný kondenzátor Zadretý piest alebo iná rotačná časť Naspína tlakový spínač, vypínač prepnutý do polohy „0“ Spálená poistka v poistkovom puzdre	Kontrola napätia v zásuvke Kontrola poistky - vadnú vymeniť Uvoľnená svorka - dotiahnuť Kontrola elektr. šnúry - vadnú vymeniť Motor vymeniť, resp. previnúť vinutie Kondenzátor vymeniť Poškodené časti vymeniť Skontrolovať funkciu tlakového spínača Kontrola poistky - vadnú vymeniť
Kompresor spína často	Únik vzduchu z pneumatického rozvodu Netesnosť spätného ventilu V tlakovej nádobe je väčšie množstvo skondenzovanej kvapaliny	Kontrola pneum. rozvodu – uvoľnený spoj utesniť SV vyčistiť, vymeniť tesnenia, vymeniť SV Vypustiť skondenzovanú kvapalinu
Chod kompresora sa predlžuje	Únik vzduchu z pneumatického rozvodu Opotrebený piestny krúžok Znečistený vstupný filter	Kontrola pneum. rozvodu – uvoľnený spoj utesniť Opotrebený piestny krúžok vymeniť Znečistený filter nahradiť novým
Kompresor je hlučný (klepanie, kovové zvuky)	Poškodené ložisko piesta, ojnice, ložisko motora Uvoľnený (prasknutý) tlmiaci člen (pružina)	Poškodené ložisko vymeniť Poškodenú pružinu nahradiť

19. INFORMÁCIE O OPRAVÁRENSKEJ SLUŽBE

Záručné a mimozáručné opravy zabezpečuje výrobca alebo organizácie a opravárenské osoby, o ktorých informuje dodávateľ.

Upozornenie !

Výrobca si vyhradzuje právo vykonať na prístroji zmeny, ktoré však neovplyvnia podstatné vlastnosti prístroja.

20. Odstavenie

V prípade, že sa kompresor nebude dlhší čas používať, doporučuje sa vypustiť kondenzát z tlakovej nádrže a kompresor uviesť do prevádzky asi na 10 minút s otvoreným ventilom pre vypúšťanie kondenzátu (8) (Obr.1). Potom kompresor vypnúť vypínačom (obr.4), uzatvoriť ventil pre vypúšťanie kondenzátu a odpojiť zariadenie od elektrickej siete.

21. LIKVIDÁCIA PRÍSTROJA

- Odpojiť zariadenie od elektrickej siete.
- Vypustiť tlak vzduchu v tlakovej nádrži otvorením ventilu na vypúšťanie kondenzátu (8) (Obr.1).
- Zariadenie zlikvidovať podľa miestne platných predpisov.
- Triedenie a likvidáciu odpadu zadať špecializovanej organizácii.
- Časti výrobku po skončení jeho životnosti nemajú negatívny vplyv na životné prostredie.

ANNEX / ANHANG / ПРИЛОЖЕНИЕ / PRÍLOHA**22. INSTALLATION RECORD**

1. Product: (model) DK50		2. Serial number:	
3.1. User's name:			
3.2. Address of installation:			
4. Equipment connected to the compressor:			
5. Installation / Commissioning:		6. Contents of operator training:	
A. Product completeness check **	Y	A. Description of the product and functions**	Y
	N		N
B. Documentation completeness check **	Y	B. Product operation: turning on/off, controls, control procedures, data on the display panel, alarms, operation in alarm conditions**	Y
	N		N
C. Installation/connection to equipment **	Y	C. Product maintenance: maintenance intervals, maintenance procedure, service intervals, operating activities**	Y
	N		N
D. Functional test **	Y	D. Safety measures, warnings – their meaning and compliance **	Y
	N		N
Notes:			
7. Operator instructed on safety measures, operations and maintenance:			
Name :		Signature:	
Name:		Signature:	
Name :		Signature:	
8. Installation and instruction performed by – First name/Last name		Signature:	
Company:		Address:	
Phone:			
Email:		Date:	
9. Distributor:			
Company:		Address:	
Contact person:			
Phone:		Email: :	

** mark with an "X" in points 5 and 6 (Y - yes /N - no). Enter any observations from points 5 and 6 into the "Notes" section



22. INSTALLATIONSprotokoll

1. Produkt: (Modell) DK50		2. Seriennummer:	
3.1. Benutzername:			
3.2. Aufstellungsort:			
4. An den Kompressor angeschlossene Geräte:			
5. Installation / Inbetriebnahme:		6. Inhalte der Bedienschulung:	
A. Vollständigkeitsprüfung des Produkts**	J	A. Beschreibung des Produkts und der Funktionen**	J
	N		N
B. Dokumentation der Vollständigkeitsprüfung**	J	B. Produktbetrieb: Ein-/Ausschalten, Steuerungen, Steuerungsabläufe, Daten auf dem Display, Alarme, Betrieb bei Alarmzustand**	J
	N		N
C. Installation/Anschluss an Gerät**	J	C. Produktwartung: Wartungsintervalle, Wartungsablauf, Serviceintervalle, Betriebsabläufe**	J
	N		N
D. Funktionstest**	J	D. Sicherheitsmaßnahmen, Warnmeldungen – Bedeutung und Befolgung**	J
	N		N
Hinweise:			
7. Der Bediener wurde über die Sicherheitsmaßnahmen, über Abläufe und Wartung instruiert:			
Name:		Unterschrift:	
Name:		Unterschrift:	
Name:		Unterschrift:	
8 Installation und Anweisung vorgenommen durch – Vorname/Nachname		Unterschrift:	
Firma:		Adresse:	
Telefon:			
E-Mail:		Datum:	
9 Vertriebshändler:			
Firma:		Adresse:	
Ansprechpartner:			
Telefon:		E-Mail:	

**für Punkte 5 und 6 mit einem „X“ markieren (J – Ja/N – Nein). Geben Sie alle Beobachtungen aus den Punkten 5 und 6 im Abschnitt „Hinweise“ ein.

22. ОТЧЕТ ОБ УСТАНОВКЕ

1. Изделие: (модель) DK50		2. Серийный номер:	
3.1. Имя пользователя:			
3.2. Адрес проведения установки:			
4. Оборудование, подсоединенное к компрессору			
5. Установка / ввод в эксплуатацию		6. Этапы подготовки оператора	
A. Проверка комплектации изделия**	Д Н	A. Описание изделия и его функций**	Д Н
B. Проверка наличия документации**	Д Н	B. Эксплуатация изделия: включение и выключение, элементы управления, контрольные процедуры, отображение данных на дисплее, аварийные сигналы, эксплуатация в случае получения аварийных сигналов**	Д Н
C. Установка / подсоединение к оборудованию**	Д Н	C. Техническое обслуживание: интервалы и процедуры технического обслуживания, служебные интервалы и эксплуатационные меры**	Д Н
D. Функциональные испытания**	Д Н	D. Меры безопасности, предупреждения (их значение и соответствие им)**	Д Н
Примечания			
7. Оператор проинструктирован по поводу мер безопасности, эксплуатации и технического обслуживания			
ФИО:		Подпись:	
ФИО:		Подпись:	
ФИО:		Подпись:	
8. Кем выполнены установка и инструктаж Имя / фамилия		Подпись:	
Компания:		Адрес:	
Телефон:			
Электронная почта:		Дата:	
9. Дистрибьютор			
Компания:		Адрес:	
Контактное лицо:			
Телефон:		Электронная почта:	

** Отметьте пп. 5 и 6 значком «X» («Да» или «Нет»). Внесите в раздел «Примечания» какие-либо замечания на основе данных пп. 5 и 6.




22. ZÁZNAM O INŠTALÁCII

1. Výrobok: (typ) DK50		2. Výrobné číslo:	
3.1. Názov užívateľa:			
3.2. Adresa inštalácie:			
4. Zariadenia pripojené ku kompresoru:			
5. Inštalácia / Uvedenie do prevádzky:		6. Obsah zaučenia obsluhy:	
A. Kontrola úplnosti výrobku **	A N	A. Popis výrobku a popis funkcie**	A N
B. Kontrola úplnosti dokumentácie **	A N	B. Obsluha výrobku : zapnúť /vypnúť, ovládacie prvky, postupy ovládania, údaje na zobrazovacom paneli, alarmy, činnosť pri alarmoch**	A N
C. Inštalácia/pripojenie k zariadeniu **	A N	C. Údržba výrobku : intervaly údržby, postup pri údržbe, servisné intervaly, činnosť obsluhy**	A N
D. Funkčná skúška **	A N	D. Bezpečnostné opatrenia, upozornenia – ich význam a dodržiavanie **	A N
Poznámky:			
7. Obsluha poučená o bezpečnostných opatreniach, prevádzke a údržbe :			
Meno :		Podpis :	
Meno :		Podpis :	
Meno :		Podpis :	
8. Inštaláciu a poučenie vykonal – Meno/Priezvisko		Podpis:	
Firma:		Adresa:	
Telefón:			
E-mail :		Dátum:	
9. Distribútor :			
Firma:		Adresa:	
Kontaktná osoba :			
Telefón:		E-mail :	

** v bodoch 5 a 6 označiť "X" (A - áno /N - nie). Pozorovania k bodom 5 a 6 zapísať do časti „Poznámky“

DK50



 EKOM spol. s r.o.,
Priemyselná 5031/18, 921 01 PIEŠŤANY, Slovak Republic
tel.: +421 33 7967255, fax: +421 33 7967223
e-mail: ekom@ekom.sk, www.ekom.sk

NP-DK50 simple s DE-6_01-2022
112000198-000

